

## Ersatzteilliste / spare parts

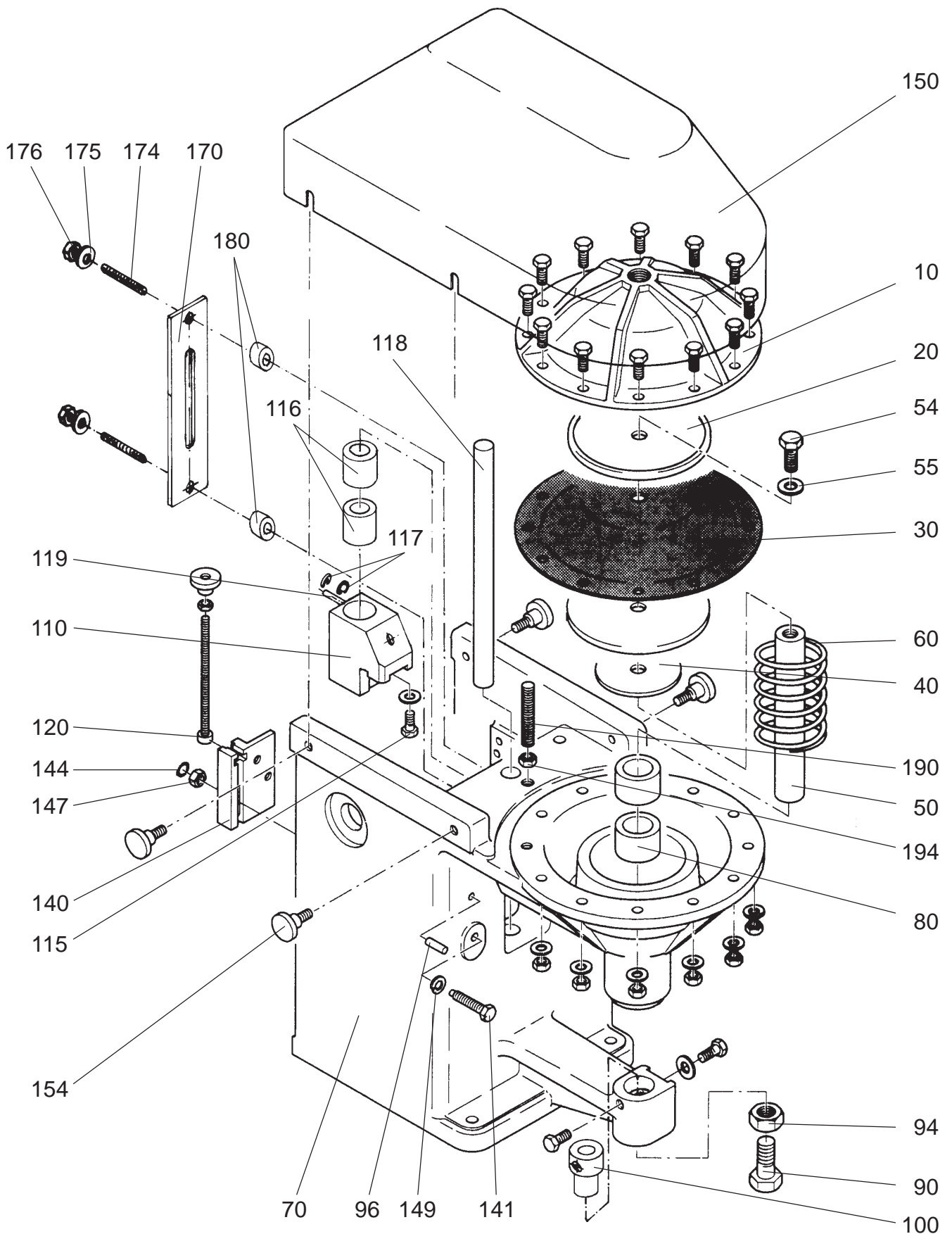
# WPG 5041 LA Version 2

Semi-automatic attaching machine with pneumatic drive



# WPG 5041 LA

**Baugruppe:** Grundmaschine / Base machine



YKK Stocko Fasteners GmbH  
Schutzvermerk nach DIN 34  
Observe protection rights acc. ISO 34

WPG5041EV\_2.p65  
Bild: Wpg-34-neu.tif

# WPG 5041 LA

## Baugruppe: Grundmaschine / Base machine

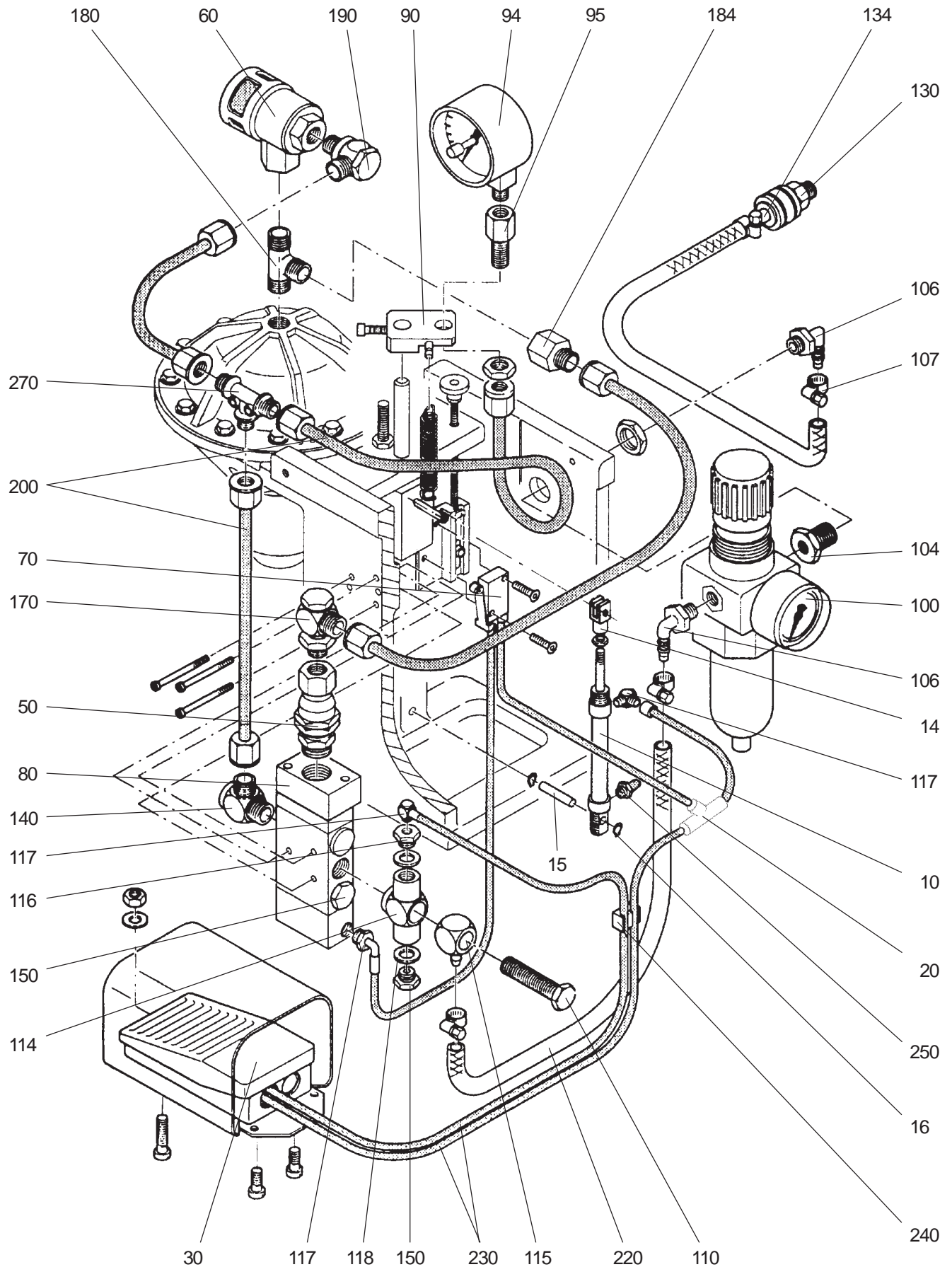
| Pos. | ID / No.       | Description         | Benennung            | Qty./Stck. | Drawing - No.   |
|------|----------------|---------------------|----------------------|------------|-----------------|
| 10   | <b>5514310</b> | Frame cover         | Gehäuseoberteil      | 1          | 430 001 115 A00 |
| 20   | <b>5003201</b> | Plate               | Teller               | 2          | LGW 2           |
| 30   | <b>5003199</b> | Diaphragm           | Membrane             | 1          | LGV 2           |
| 40   | <b>5013917</b> | Thrust plate        | Druckplatte          | 1          | 095 001 110 A00 |
| 50   | <b>5013918</b> | Plunger             | Plunger              | 1          | 095 001 111 A00 |
| 54   | <b>5005408</b> | Screw               | Sechskantschraube    | 1          | USW 12 x 25     |
| 55   | <b>5000126</b> | Washer              | Scheibe              | 1          | BBC 13          |
| 60   | <b>5514214</b> | Spring              | Druckfeder           | 1          | FDA 4.25        |
| 70   | <b>5020408</b> | Machine frame       | Körper               | 1          | 430 001 110 B00 |
| 80   | <b>5013920</b> | Bushing             | Buchse               | 2          | 095 001 114 A00 |
| 90   | <b>5013175</b> | Set Screw           | Stellschraube        | 1          | 031 001 012 A00 |
| 94   | <b>5002387</b> | Nut                 | Sechskantmutter      | 1          | HAB 14 x 1.5    |
| 96   | <b>5002486</b> | Cylinder pin        | Zylinderstift        | 1          | HAE 5 x 10      |
| 100  | <b>5021813</b> | Punch holder        | Stempelaufnahme      | 1          | 476 001 105 A00 |
| 110  | <b>5021808</b> | Finger guard holder | Fingerschutzaufnahme | 1          | 476 001 100 A00 |
| 115  | <b>5004803</b> | Lock screw          | Sicherungsschraube   | 1          | URG 5 x 10      |
| 116  | <b>5000358</b> | Ball bushing        | Kugelbuchse          | 2          | BCM 1           |
| 117  | <b>5000526</b> | Retaining ring      | Greifring            | 2          | BFT 4 x 0.8     |
| 118  | <b>5000478</b> | Steel shaft         | Stahlwelle           | 1          | BEZ 12 x 195    |
| 119  | <b>5002483</b> | Cylinder pin        | Zylinderstift        | 1          | HAE 4 x 32      |
| 120  | <b>5020406</b> | Washer              | Stellschraube        | 1          | 430 001 120 A00 |
| 140  | <b>5020410</b> | Valve holder        | Ventilhalterung      | 1          | 430 001 112 A00 |
| 141  | <b>5020412</b> | Screw               | Schraube             | 1          | 430 001 114 A00 |
| 144  | <b>5000153</b> | Retaining ring      | Sicherungsring       | 1          | BBD 4 x 0.4     |
| 147  | <b>5002377</b> | Nut                 | Sechskantmutter      | 1          | HAA 5           |
| 148  | <b>5000134</b> | Washer              | Scheibe              | 1          | BBC 5.2         |
| 149  | <b>5000308</b> | Lock washer         | Federring            | 1          | BBV 5           |
| 150  | <b>5020401</b> | Cover               | Abdeckhaube          | 1          | 430 001 106 A00 |
| 154  | <b>5005012</b> | Knurled screw       | Rändelschraube       | 4          | USC 5 x 10      |
| 170  | <b>5021809</b> | Stopper             | Verdrehsicherung     | 1          | 476 001 101 A00 |
| 174  | <b>5005261</b> | Threaded pin        | Gewindestift         | 2          | USN 4 x 20      |
| 175  | <b>5000133</b> | Washer              | Scheibe              | 2          | BBC 4.3         |
| 176  | <b>5002398</b> | Nut                 | Sechskantmutter      | 2          | HAB 4           |
| 180  | <b>5021810</b> | Spacer              | Distanzring          | 2          | 476 001 102 A00 |
| 190  | <b>5005550</b> | Threaded pin        | Gewindestift         | 1          | UUD 8 x 50      |
| 194  | <b>5002401</b> | Nut                 | Sechskantmutter      | 1          | HAB 8           |

YKK Stocko Fasteners GmbH  
Schutzvermerk nach DIN 34 Observe protection rights acc. ISO 34

WPG5041EV\_2.p65

# WPG 5041 LA

**Baugruppe: Pneumatik / Pneumatic**



YKK Stocko Fasteners GmbH  
Schutzvermerk nach DIN 34  
Observe protection rights acc. ISO 34

WPG5041EV\_2.p65  
Bild: WPG-22-neu.tif

# WPG 5041 LA

## Baugruppe: Pneumatik / Pneumatic

| Pos. | ID / No.        | Description                          | Benennung                  | Qty./Stck. | Drawing - No.   |
|------|-----------------|--------------------------------------|----------------------------|------------|-----------------|
| 10   | <b>5737036</b>  | Cylinder                             | Zylinder                   | 1          | LDD 10 x 50     |
| 14   | <b>5003009</b>  | Fork head                            | Gabelkopf                  | 1          | LCE 4           |
| 15   | <b>5870282</b>  | Cylinder bearing seat                | Zylinderaufnahme           | 1          | 476 001 107 A00 |
| 16   | <b>5000526</b>  | Retaining ring                       | Greifring                  | 1          | BFT 4 x 0.8     |
| 17   | <b>5002401</b>  | Hex nut                              | Sechskantmutter M8         | 1          | HAB8            |
| 20   | <b>5611752</b>  | T-Connector                          | T - Steckverbindung        | 1          | LUT 4           |
| 30   | <b>5788170</b>  | Foot pedal                           | Fußschalter                | 1          | LCY1            |
| 50   | <b>5003365</b>  | Pressure adjuster UV                 | Druckschaltknopf UV        | 1          | LPY 1           |
| 60   | <b>5003064</b>  | Fast vent valve                      | Schnellentlüftungsventil   | 1          | LDT 3/8         |
| 70   | <b>5003364</b>  | Mini valve                           | Mini - Tastventil          | 1          | LPX 1           |
| 80   | <b>5691803</b>  | Air valve                            | Sonderventil               | 1          | LPW 3           |
|      | <b>5003339</b>  | Filter nipple                        | Filternippel               | 1          | LNX 2           |
| 90   | <b>5020411</b>  | Pressure gauge mount                 | Manometeraufnahme          | 1          | 430 001 113 A00 |
| 94   | <b>5003366</b>  | Pressure gauge                       | Manometer                  | 1          | LPZ 1           |
| 95   | <b>5003476</b>  | Connector                            | Schottverschraubung        | 1          | LWE 1           |
| 100  | <b>5003477</b>  | Filter regulator with pressure gauge | Filterregler mit Manometer | 1          | LWF 1           |
| 104  | <b>5003312</b>  | Connector                            | Schottverschraubung innen  | 1          | LMP 1/4         |
| 106  | <b>5711866</b>  | Swivel grommet                       | Schwenktülle               | 2          | LSB 1/4         |
| 107  | <b>5003396</b>  | Hose clip                            | Schlauchklemme             | 4          | LRV 10 x 16     |
| 110  | <b>5003385</b>  | Hollow bolt                          | Hohlschraube               | 1          | LRV 1/4         |
| 114  | <b>5003391</b>  | Double hose connector                | Ringanschluß doppelt       | 1          | LRW 1/4         |
| 115  | <b>5003394</b>  | Ring grommet                         | Ringtülle                  | 1          | LRX 1/4 x 5     |
| 116  | <b>5003429</b>  | Reducing nipple                      | Reduziernippel             | 1          | LSP 1/4 x 5     |
| 117  | <b>5609299</b>  | Connector                            | Schwenkanschluß            | 3          | LSP 5 x 4       |
| 118  | <b>5003405</b>  | Sealing ring                         | Dichtring                  | 1          | LSE 1/4         |
| 130  | <b>5712760</b>  | Ait connector                        | Schnellverschlußkupplung   | 1          | LCD 6           |
| 134  | <b>5712761</b>  | Plug in grommet                      | Einstecktülle              | 1          | LNU 7           |
| 140  | <b>5003408</b>  | Connector                            | Schwenkverschraubung       | 1          | LSF 1/4 x 6     |
| 150  | <b>5003414</b>  | Cap screw                            | Verschlußschraube          | 3          | LSG 1/4         |
| 170  | <b>58003410</b> | Connector                            | Schwenkverschraubung       | 1          | LSF 1/8 x 6     |
| 180  | <b>5003444</b>  | T piece                              | T - Stück                  | 1          | LFT 3/8         |
| 184  | <b>5003427</b>  | Screw fitting                        | Verschraubung              | 1          | LSL 3/8 x 6     |
| 190  | <b>58003411</b> | Connector                            | Schwenkverschraubung       | 1          | LSF 3/8 x 6     |

YKK Stocko Fasteners GmbH  
 Schutzvermerk nach DIN 34  
 Observe protection rights acc. ISO 34

WPG5041EV\_2.p65

# WPG 5041 LA

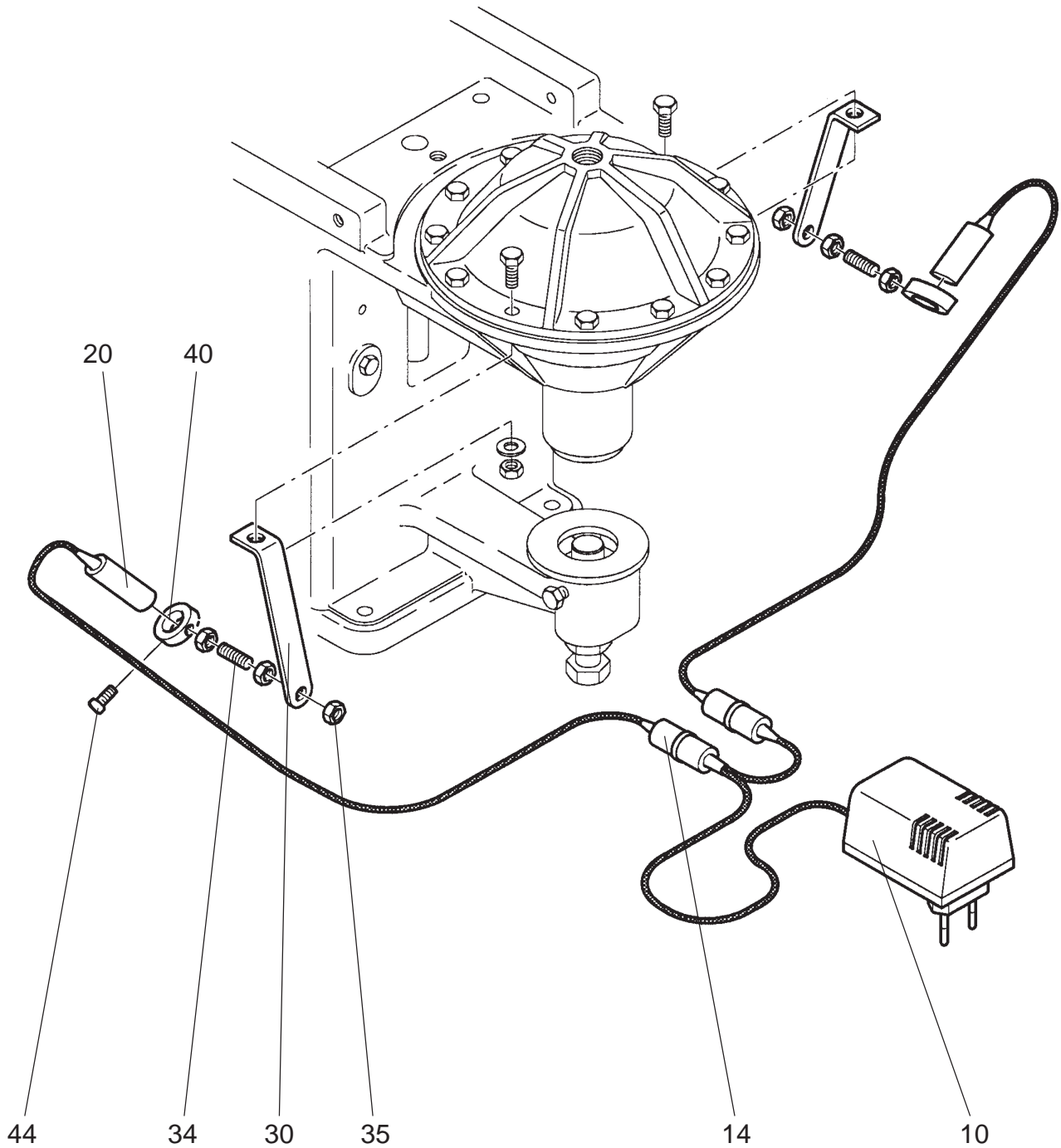
---

## Baugruppe: Pneumatik / Pneumatic

| Pos. | ID / No.       | Description     | Benennung           | Qty./Stck. | Drawing - No. |
|------|----------------|-----------------|---------------------|------------|---------------|
| 200  | <b>5003125</b> | Hose            | Schlauch            | 0.5 m      | LEL 6         |
| 220  | <b>5002997</b> | Reinforced hose | Gitterschlauch      | 3 m        | LBZ 6         |
| 230  | <b>5003192</b> | Hose            | Schlauch            | 3.4 m      | LGR 1         |
| 240  | <b>5003148</b> | Hose clip       | Schlauchklemmleiste | 1          | LFC 3         |
| 250  | <b>5002944</b> | Silencer        | Schalldämpfer       | 1          | LAW 5         |
|      | <b>5003306</b> | Hose support    | Schlauchstütze      | 2          | LMH 6         |
| 270  | <b>5003256</b> | Distributor     | Verteilerstück      | 1          | LKH 3 x 6     |

# WPG 5041 LA

**Baugruppe:** Zubehör - Zielgerät komplett / Accessories - spotter light



YKK Stocko Fasteners GmbH  
Schutzvermerk nach DIN 34 Observe protection rights acc. ISO 34

WPG5041EV\_2.p65  
Bild: WPG-2-neu.tif

Date : 2003-03  
Update :

# WPG 5041 LA

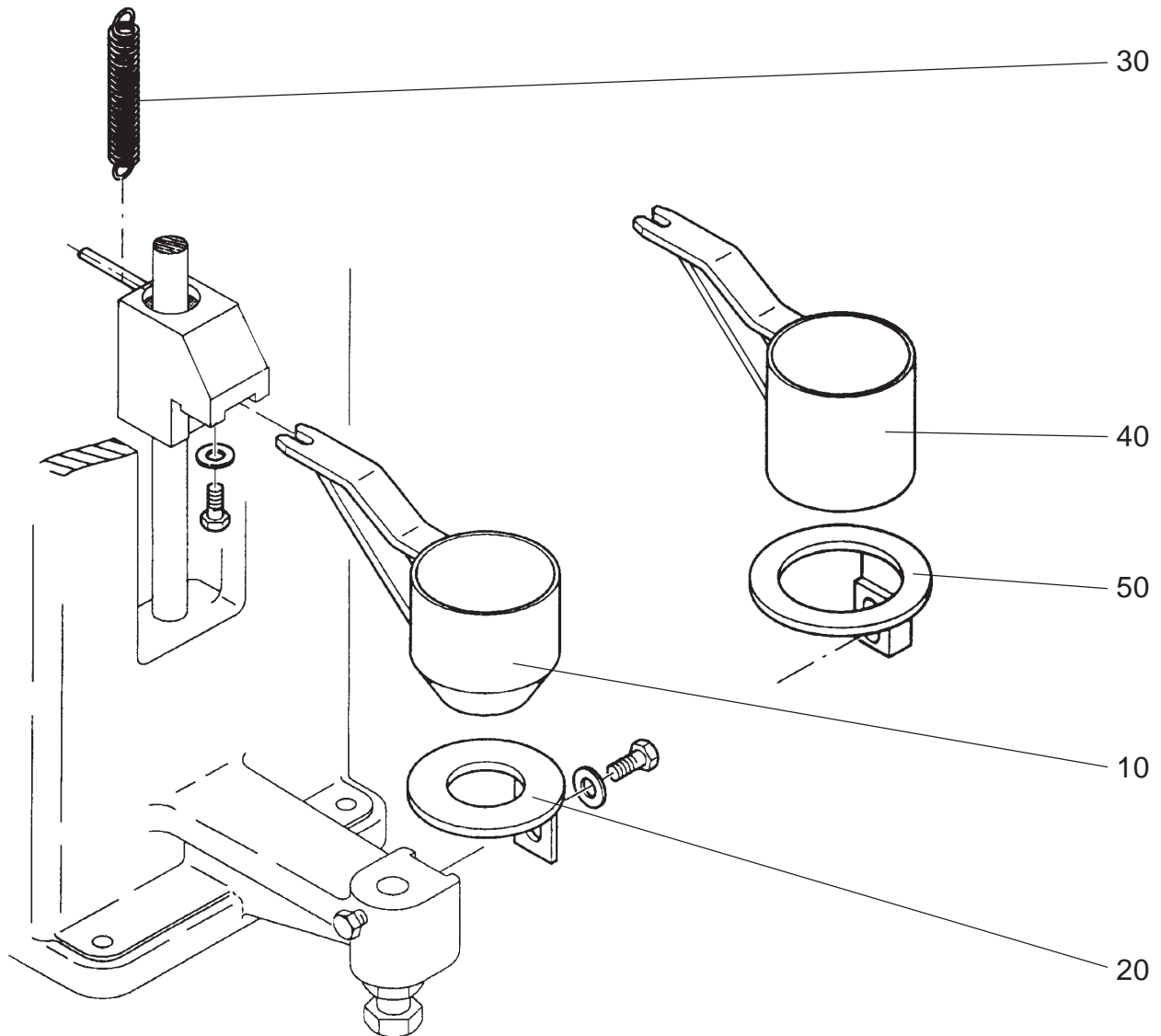
## **Baugruppe:** Zubehör - Zielgerät komplett / Accessories - spotter light

| Pos. | ID / No.       | Description          | Benennung         | Qty./Stck. | Drawing - No.   |
|------|----------------|----------------------|-------------------|------------|-----------------|
| 10   | <b>5001710</b> | Power supply         | Netzteil          | 1          | ETL 4           |
| 14   | <b>5001945</b> | Pawl coupling        | Klinkenkupplung   | 2          | EYE 3.5         |
|      |                |                      |                   |            |                 |
| 20   | <b>5001788</b> | Spotter light        | LED - Zielgerät   | 2          | EVK 9           |
|      |                |                      |                   |            |                 |
| 30   | <b>5016938</b> | Spotter light holder | Zielgeräthalter   | 2          | 331 004 110 A00 |
| 34   | <b>5005337</b> | Threaded pin         | Gewindestift      | 2          | USR 6 x 30      |
| 35   | <b>5002378</b> | Nut                  | Sechskantmutter   | 6          | HAA 6           |
|      |                |                      |                   |            |                 |
| 40   | <b>5016940</b> | Spotter light holder | Zielgerätaufnahme | 2          | 331 004 112 A00 |
| 44   | <b>5005532</b> | Screw                | Flachkopfschraube | 2          | UTL 4 x 10      |



# WPG 5041 LA

**Baugruppe:** Fingerschutz / finger guard



YKK Stocko Fasteners GmbH  
Schutzvermerk nach DIN 34  
Observe protection rights acc. ISO 34

# WPG 5041 LA

## Baugruppe: Fingerschutz standard / finger guard standard

| Pos. | ID / No.       | Description          | Benennung                | Qty./Stck. | Drawing - No.     |
|------|----------------|----------------------|--------------------------|------------|-------------------|
| 10   | <b>5020424</b> | Finger guard ø 32 mm | Fingerschutzkorb ø 32 mm | 1          | 430 220 100 A00   |
| 20   | <b>5013891</b> | Cover plate ø 32 mm  | Deckblech ø 32 mm        | 1          | 094 001 108 B00   |
| 30   | <b>5002295</b> | Spring               | Zugfeder                 | 1          | FZA 1 x 10 x 55.4 |

## Baugruppe: Zubehör-Fingerschutz / Accessories-finger guard

| Pos. | ID / No.       | Description          | Benennung                | Qty./Stck. | Drawing - No.   |
|------|----------------|----------------------|--------------------------|------------|-----------------|
| 40   | <b>5020421</b> | Finger guard ø 50 mm | Fingerschutzkorb ø 50 mm | 1          | 430 210 100 A00 |
| 50   | <b>5020422</b> | Cover plate ø 48 mm  | Deckblech ø 48 mm        | 1          | 430 210 101 A00 |

## Baugruppe: Zubehör-Fingerschutz ( wasserdichte Stempel ) / Accessories-finger guard ( woterproof dies )

| Pos. | ID / No.       | Description          | Benennung                | Qty./Stck. | Drawing - No.   |
|------|----------------|----------------------|--------------------------|------------|-----------------|
| 10   | <b>5516732</b> | Finger guard ø 37 mm | Fingerschutzkorb ø 37 mm | 1          | 430 220 100 B00 |
| 20   | <b>5013891</b> | Cover plate ø 32 mm  | Deckblech ø 32 mm        | 1          | 094 001 108 B00 |

| Pos. | ID / No.       | Description          | Benennung                | Qty./Stck. | Drawing - No.   |
|------|----------------|----------------------|--------------------------|------------|-----------------|
| 40   | <b>5550926</b> | Finger guard ø 50 mm | Fingerschutzkorb ø 50 mm | 1          | 430 210 100 B00 |
| 50   | <b>5020422</b> | Cover plate ø 48 mm  | Deckblech ø 48 mm        | 1          | 430 210 101 A00 |