

**FIRST
EDITION**



Union Special
INDUSTRIAL SEWING EQUIPMENT

CATALOG NO. 95W

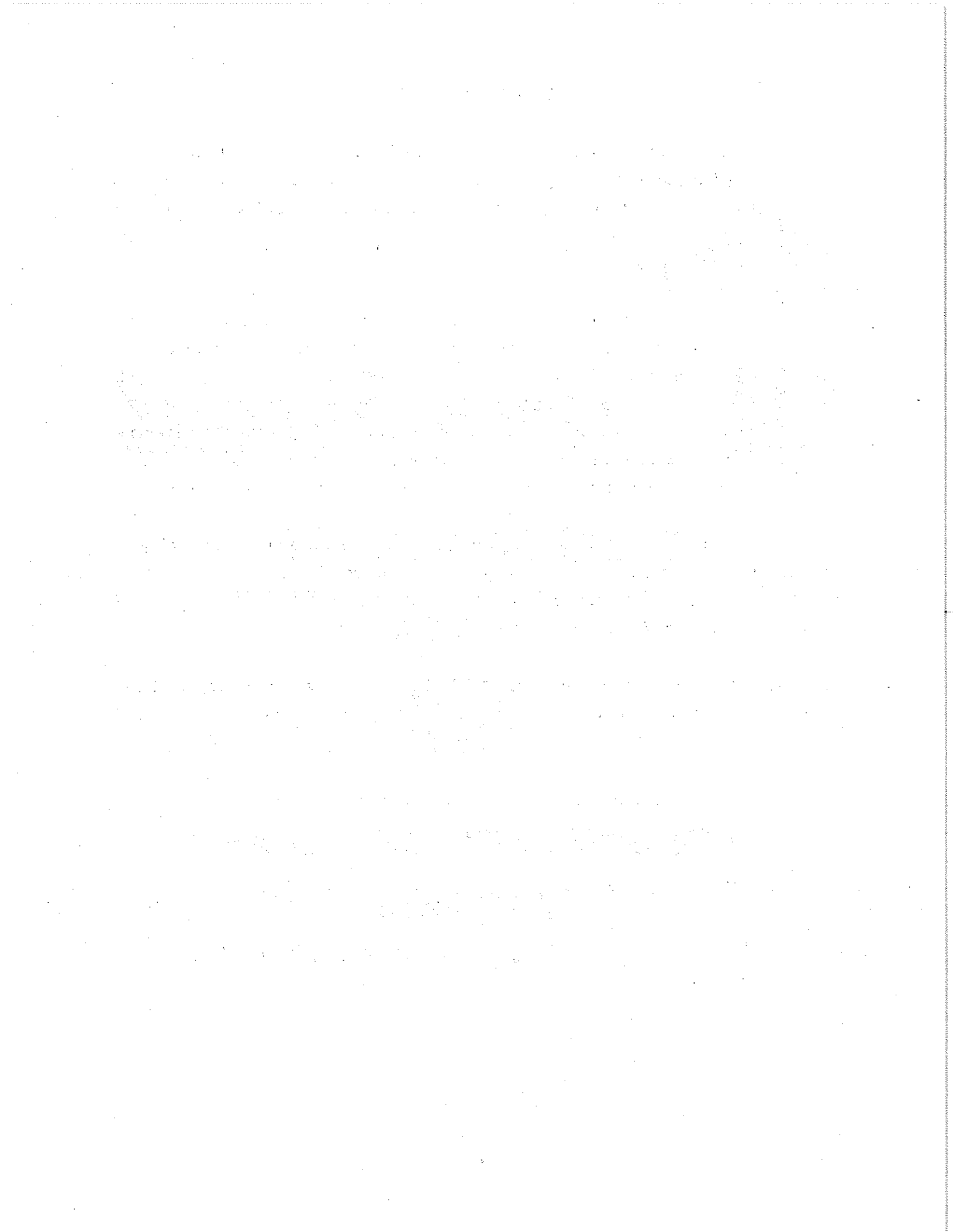
STYLES

35700

35800

HIGH SPEED FEED-OFF-THE-ARM

MACHINES



FOREWORD

These latest improved UNION SPECIAL high speed Class 35700 and 35800 machines offer many advantages on felling operations on various types of garments such as men's dress, sport, work and uniform shirts, children's play suits, men's shorts and pajamas, overalls, jackets, trousers, coats, and similar garments.

A new light weight presser bar mechanism makes them lighter running and smoother operating, practically eliminates marking, and reduces pressure required to lift the foot.

Increased speed has been made possible by design changes and a continuous running rotary driven oil pump which assures an adequate supply of filtered oil to the two main reservoirs where it is automatically fed to all bearings.

It is our constant aim to furnish carefully prepared information which will enable our customers to secure all possible advantages from the use of UNION SPECIAL machines. The following pages illustrate and describe the parts for Styles in Classes 35700 and 35800.

UNION SPECIAL representatives will be found in all manufacturing centers, ready to cooperate with you to plan and estimate requirements.

UNION SPECIAL CORPORATION

IDENTIFICATION OF MACHINE

Each UNION SPECIAL machine is identified by a Style number which is stamped into the name plate on the machine. Style numbers are classified as standard and special. Standard Style numbers have one or more letters suffixed, but never contain the letter "Z". Example: "Style 35700 AK". Special Style numbers contain the letter "Z". When only minor changes are made in a standard machine, a "Z" is suffixed to the standard Style number. Example: "Style 35700 AKZ".

Styles of machines similar in construction are grouped under a Class number which differs from the Style number, in that it contains no letters. Example: "35700".

APPLICATION OF CATALOG

This catalog applies specifically to the Standard Styles of machines as listed herein. It can also be applied with discretion to some Special Styles of machines in Classes 35700 and 35800. Parts used on the pedestals are listed in Catalog No. 95 R. Reference to direction, such as right, left, front, back, etc., are given from the operator's position while seated at the machine. Operating direction of handwheel is counterclockwise.

STYLES OF MACHINES IN CLASS 35700

Feed-Off-The-Arm High Speed, Low and High Throw Machines, Two and Three Needles, Left Needle in Front, Light Weight Presser Bar Mechanism, Adjustable Looper Avoid Motion, Periphery of Cylinder at Needle Bar 6 1/2 Inches, Space in Front of Needles 8 Inches, Single Disc Take-ups for Looper and Needle Threads, Automatic Enclosed Type Oiling System and Filter Type Oil Return Pump, Visual Sight Oil Action and Supply Gauges.

- *35700 AK Low throw, two needle machine for felling house dresses, dress shirts and for similar operations on light to medium weight material, standard gauges Nos. 8, 10, 12 and 16. Seam Spec. 401-LSc-2.
- *35700 AL High throw, two needle machine for felling sport shirts, uniform shirts, children's play suits and for similar operations on medium to heavy weight material, standard gauges Nos. 12 and 16. Seam Spec. 401-LSc-2.
- *35700 AM Low throw, two needle machine for felling sport shirts, shorts, pajamas and for similar operations on light to medium weight material, tractor feed, standard gauges Nos. 8, 10, 12 and 16. Seam Spec. 401-LSc-2.
- *35700 AN Low throw, two needle machine for felling light weight wash and wear material standard gauges Nos. 12 and 16. Seam Spec. 401-LSc-2.
- *35700 BS High throw, three needle machine for felling work shirts, uniform shirts and for similar operations on medium heavy to heavy weight material, standard gauges Nos. 7 and 8. Seam Spec. 401-LSc-3.
- 35700 CK Same as 35700 AK, except prepared for Pedestal Installation.
- *35700 CL Same as 35700 AL, except prepared for Pedestal Installation.
- *35700 CM Same as 35700 AM, except prepared for Pedestal Installation.
- *35700 CN Same as 35700 AN, except prepared for Pedestal Installation.
- *35700 DS Same as 35700 BS, except prepared for Pedestal Installation.
- *DISCONTINUED - In most instances, component parts can be ordered for customer repair.

STYLES OF MACHINES IN CLASS 35800

Feed-Off-The-Arm High Throw Machines, Two and Three Needles, Left Needle in Front, Light Weight Presser Bar Mechanism, Adjustable Loper Avoid, Periphery of Cylinder at Needle Bar 6 1/2 Inches, Space in Front of Needles 8 Inches, Single Disc Loper Thread Take-up, Automatic Enclosed Type Oiling System and Filter Type Oil Return Pump, Visual Sight Oil Action and Supply Gauges.

- *35800 AC Two needle machine for felling the "in and out" seams of overalls and trousers, side and sleeve seams of coats and jackets, laundry bags and for similar operations on medium heavy and heavy weight non-sanforized material, standard gauges Nos. 16 and 18. Seam Spec. 401-LSc-2.
- *35800 AD Two needle machine for felling seersucker and for use on "in and out" seams of trousers and for similar operations on medium to medium heavy weight non-sanforized material, .025 inch step on right side, standard gauges Nos. 12 and 16. Seam Spec. 401-LSc-2.
- *35800 AV Two needle machine for felling "in and out" seams of overalls and trousers, side and sleeve seams of shop coats, denim jackets and for similar operations on medium heavy to heavy weight 2.00 to 4.00 yard (8 oz. to 4 oz.) non-sanforized material, standard gauges Nos. 16 and 18. Seam Spec. 401-LSc-2.
- *35800 AX Two needle machine for felling "in and out" seams of overalls and trousers, side and sleeve seams of shop coats, denim jackets and for similar operations on medium heavy to heavy weight 2.00 to 2.40 yard (8 oz. to 6 1/2 oz.) non-sanforized material, .070 inch step on right side, standard gauges Nos. 16 and 18. Seam Spec. 401-LSc-2.
- *35800 AY Two needle machine for felling "in and out" seams of overalls and trousers, side and sleeve seams of shop coats, denim jackets and for similar operations on medium heavy to heavy weight 1.55 to 2.20 yard (11 oz. to 7 oz.) sanforized and non-sanforized material, .094 inch step on right side, standard gauges Nos. 16 and 18. Seam Spec. 401-LSc-2.
- *35800 BQ Three needle upper roller feed machine for felling "in and out" seams of overalls, lined or unlined dungarees, mackinaws and trousers, side and sleeve seams of shop coats, denim jackets and for similar operations on medium to heavy weight non-sanforized material, standard gauges Nos. 8 and 9. Seam Spec. 401-LSc-3.
- *35800 BR Three needle upper roller feed machine for felling sides and sleeves of heavy weight denim jackets, blanket lined jackets, mackinaws, melton cloth coats, "in and out" seams of heavy weight overalls, dungarees and similar operations on heavy to extra heavy sanforized and non-sanforized material, standard gauges Nos. 8 and 9. Seam Spec. 401-LSc-3.
- *35800 BV Three needle machine for felling "in and out" seams of overalls and trousers, side and sleeve seams of shop coats, denim jackets, blanket lined jackets, mackinaws, melton cloth coats and for similar operations on medium heavy to heavy weight 2.00 to 4.00 yard (8 oz. to 4 oz.) material, standard gauges Nos. 8 and 9. Seam Spec. 401-LSc-3.
- *35800 BX Three needle machine for felling "in and out" seams of overalls and trousers, side and sleeve seams of coats, jackets and for similar operations on medium heavy to heavy weight 2.00 to 2.40 yard (8 oz. to 6 1/2 oz.) non-sanforized material, .070 inch step on right side, standard gauges Nos. 8 and 9. Seam Spec. 401-LSc-3.

*DISCONTINUED - In most instances, component parts can be ordered for customer repair.

STYLES OF MACHINES IN CLASS 35800 (Continued)

- 35800 BY Three needle machine for felling "in and out" seams of overalls and trousers, side and sleeve seams of shop coats, denim jackets and for similar operations on medium heavy to heavy weight 1.55 to 2.20 yard (11 oz. to 7 oz.) sanforized and non-sanforized material, .094 inch step on right side, standard gauges Nos. 8 and 9. Seam Spec. 401-LSc-3.
- *35800 CC Same as 35800 AC, except prepared for Pedestal Installation.
- *35800 CD Same as 35800 AD, except prepared for Pedestal Installation.
- *35800 CV Same as 35800 AV, except prepared for Pedestal Installation.
- *35800 CX Same as 35800 AX, except prepared for Pedestal Installation.
- *35800 CY Same as 35800 AY, except prepared for Pedestal Installation.
- 35800 DQ Same as 35800 BQ, except prepared for Pedestal Installation.
- 35800 DR Same as 35800 BR, except prepared for Pedestal Installation.
- *35800 DV Same as 35800 BV, except prepared for Pedestal Installation.
- 35800 DX Same as 35800 BX, except prepared for Pedestal Installation.
- 35800 DY Same as 35800 BY, except prepared for Pedestal Installation.

NEEDLES

Each UNION SPECIAL needle has both a type number and a size number. The type number denotes the kind of shank, point, length, groove, finish and other details. The size number, stamped on the needle shank, denotes the largest diameter of the blade measured in thousandths of an inch, midway between the shank and the eye. Collectively, the type number and the size number is the complete symbol.

Selection of proper needle size should be determined by the size of thread used. Thread should pass freely through the needle eye in order to produce a good stitch formation.

Standard needle for Styles 35700 AK, AM, AN, CK, CM, CN is Type 108 GHS. It is a round shank, round point, extra short, double groove, struck groove, ball eye, spotted, ball point, chromium plated and is available in sizes 070/027, 075/029, 080/032, 090/036, 100/040, 110/044, 125/049.

Standard needle for Styles 35700 AL, BS, CL, DS and all Class 35800 is Type 128 GLS. It is a round shank, round point, short, double groove, struck groove, oversize ball eye, one step increase, short blade - 1/8 inch less than standard, width of eye and grooves undersize - one step reduction, spotted, ball point, chromium plated and is available in sizes 090/036, 100/040, 110/044, 125/049.

The machine styles listed in this catalog are equipped with the types and sizes of needles as shown in the following chart:

<u>MACHINE STYLE</u>	<u>NEEDLE TYPE</u>	<u>NEEDLE SIZE</u>
35700 AK, CK	108 GHS	080/032
35700 AM, AN, CM, CN	108 GHS	090/036
35700 AL, BS, CL, DS	128 GLS	100/040
35800 (All Styles)	128 GLS	110/044

*DISCONTINUED - In most instances, component parts can be ordered for customer repair.

NEEDLES (Continued)

To have needle orders promptly and accurately filled, an empty package, a sample needle, or the type and size number should be forwarded. Use description on label. A complete order would read: "1000 Needles, Type 108 GHS, Size 080/032".

ORDERING OF REPAIR PARTS

ILLUSTRATIONS

The arrangement of this catalog is to facilitate easy and accurate ordering of Class 35700 and 35800 replacement parts.

Exploded view plates cover the Standard Styles listed in this catalog. Each plate presents a sector of the machine, parts being aligned as in their assembled position. Small keyline views show by a blackened area exactly where the parts being discussed fit in the assembled machine. On the page opposite the illustration will be found a listing of the parts with their part numbers, descriptions and the number of pieces required in the particular view being shown.

Numbers in the first column are reference numbers only, and merely indicate the position of the part in the illustration. Reference numbers should never be used in ordering parts. Always use the part number listed in the second column. Each exploded view plate carries a reference number for each part for sale.

Sub-assemblies, which are sold complete, or by separate part, are in a bracket or a solid line box on the exploded view plate. Component parts of sub-assemblies, which can be furnished for repairs, are indicated by indenting their descriptions under the description of the main sub-assembly. Example:

23	29101 G	Feed Lift, Feed Rocker and Looper Avoid Eccentric Assembly, for Styles 35700 AL, CL, BS, DS and all Class 35800 -----	1
24	22587 E	Screw-----	4
25	22764	Screw-----	1
26	88	Screw-----	1

It will be noted in the above example that the eccentric and bearing are not listed. The reason is that replacement of these parts individually is not recommended, so the complete sub-assembly should be ordered.

In those cases where a part is common to all of the machines covered by this catalog, no specific usage will be mentioned in the description. However, when the parts for the various machines are not the same, the specific usage will be mentioned in the description and, if necessary, the difference will be shown in the illustration.

At the back of the book will be found a numerical index of all the parts shown in this book. This will facilitate locating the illustration and description when only the part number is known.

IDENTIFYING PARTS

Where construction permits, each part is stamped with its part number. On some of the smaller parts, and on those where construction does not permit, an identification letter is stamped in to distinguish the part from similar ones.

Part numbers represent the same part, regardless of catalog in which they appear.

IMPORTANT! ON ALL ORDERS, PLEASE INCLUDE PART NAME AND STYLE OF MACHINE FOR WHICH PART IS ORDERED.

USE GENUINE NEEDLES AND REPAIR PARTS

Success in the operation of these machines can be secured only with genuine UNION SPECIAL Repair Parts as furnished by the Union Special Corporation, its subsidiaries and authorized distributors. They are designed according to the most approved scientific principles, and are made with the utmost precision. Maximum efficiency and durability are assured.

TERMS

Prices are strictly net cash and are subject to change without notice. All shipments are forwarded f. o. b. shipping point. Parcel Post shipments are insured unless otherwise directed. A charge is made to cover the postage and insurance.

OILING AND THREADING

The oil has been drained from the machine before shipping, and the reservoir must be filled before beginning to operate. Use a straight mineral oil with a Saybolt viscosity of 90 to 125 seconds at 100° Fahrenheit.

Oil is filled at the caps "G" and "H" in the accompanying threading diagrams on pages 9, 10 and 11. The level is checked at the two sight gauges "J" and "K". One is located at the front of the cylinder and the other on the right side of the main frame under the foot lifter lever. Maintain the oil level between the red lines of the gauges.

The machine is equipped with a continuous running rotary driven oil pump. The action of the oil can be observed through the lucite windows "L" and "M" in the front and back top covers. When starting a new machine after filling the reservoirs, or when beginning to operate a machine that has been idle for some time, it may be necessary to prime the pump.

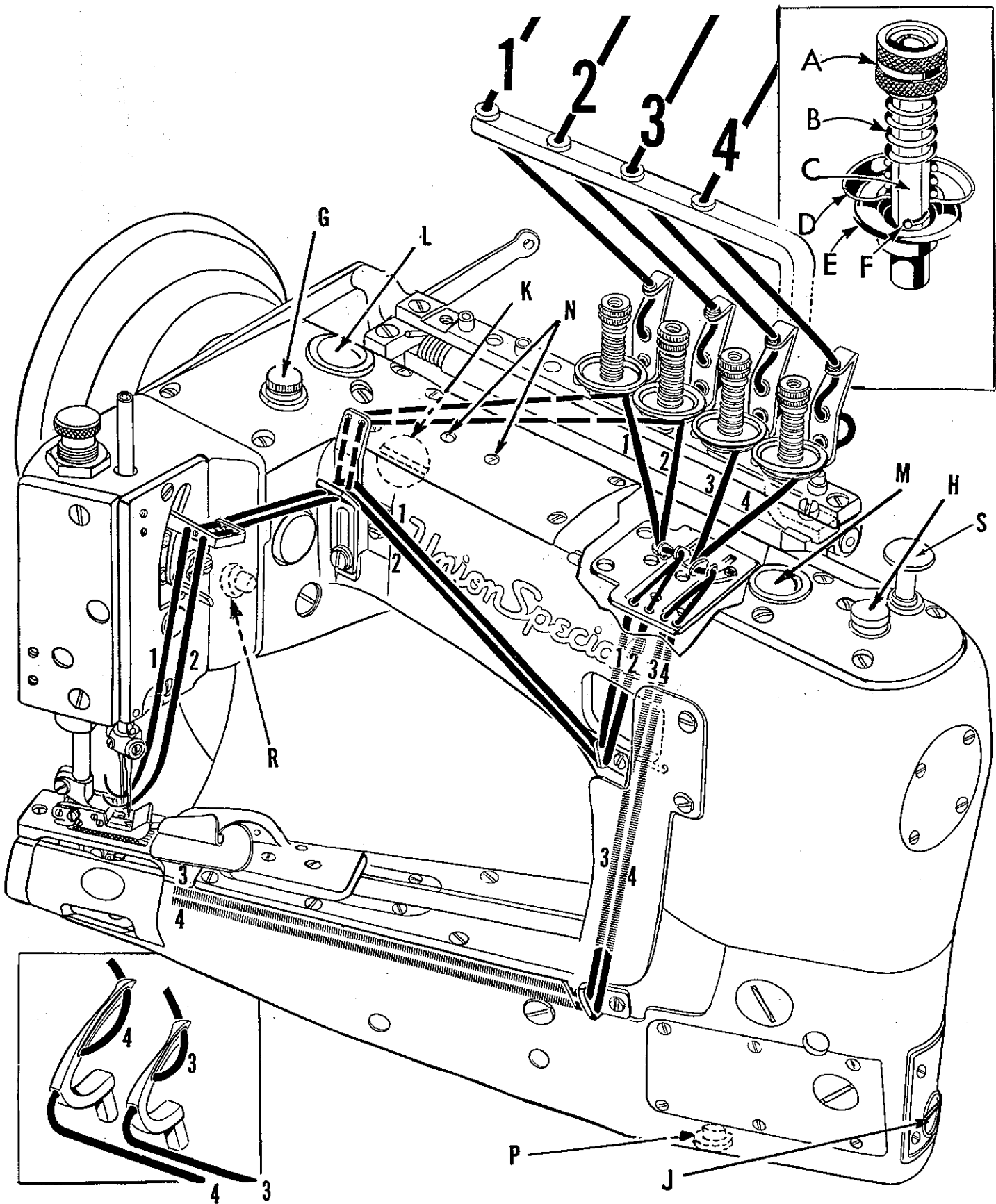
To do this, remove the two plug screws "N". Apply oil from an oil can to these holes and operate machine until bubbling can be observed at the windows. Replace screws. If oil does not bubble when machine is running, the circulating pump is inoperative.

Oil may be drained from the machine at two places, "P" and "R". One plug screw is located in the bottom of the cylinder and the other at the back of the main frame below the handwheel.

The accompanying drawings also show the manner in which machines in Class 35700 and machines in Class 35800 are threaded. Three needle machines in Class 35700 and two needle machines in Class 35800 are threaded in substantially the same manner. Refer to the threading diagrams on pages 9, 10 and 11 for the threading of a particular machine style.

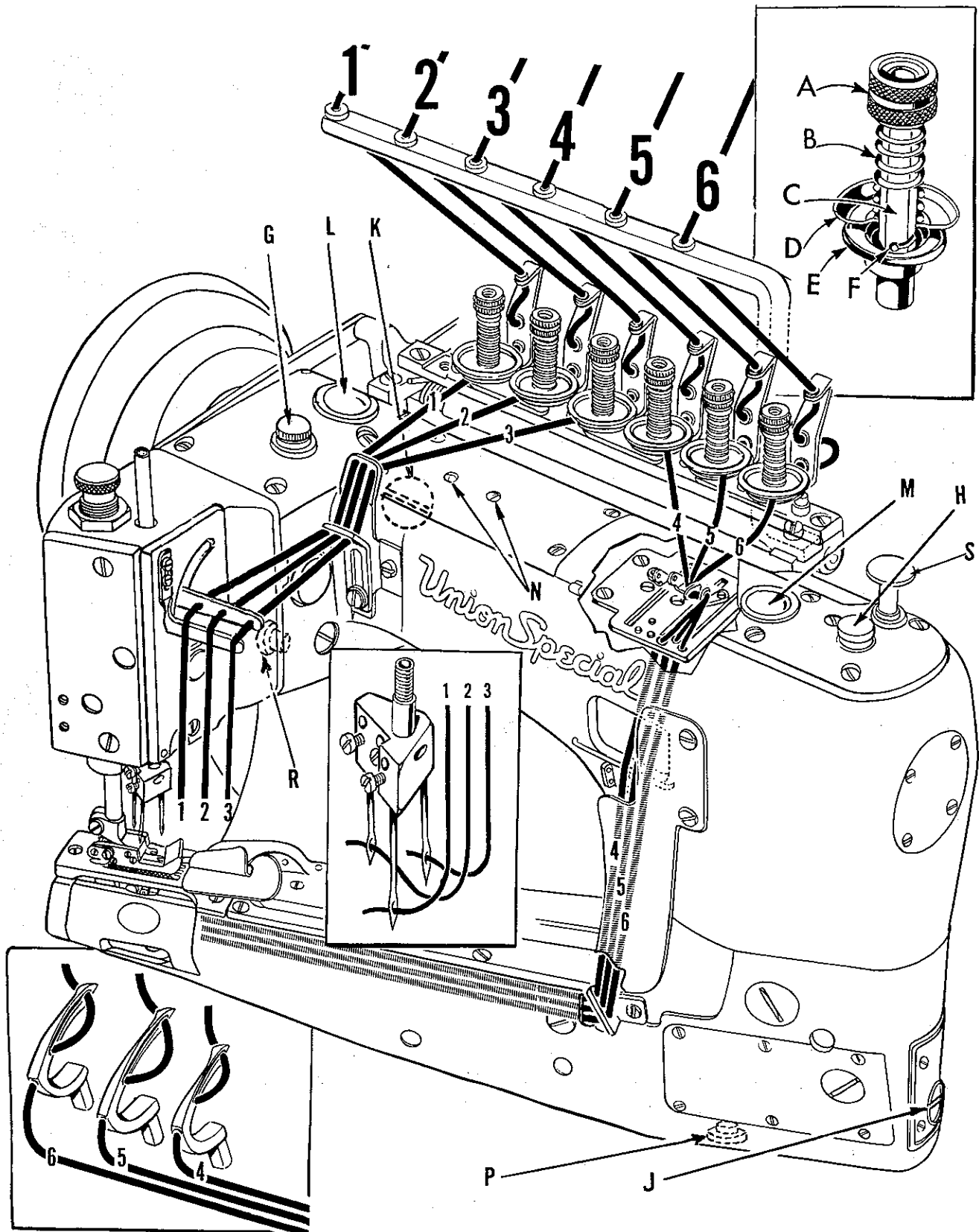
Keep the threads in the slots "F" in the tension posts "C" and between the tension discs "D" and "E". Avoid crossing threads as much as possible.

A convenient means for threading the looper has been provided. When loopers are at the left end of their travel, press the knob "S" and loopers will back out of position, leaving them easily accessible. After threading, push loopers back into position.

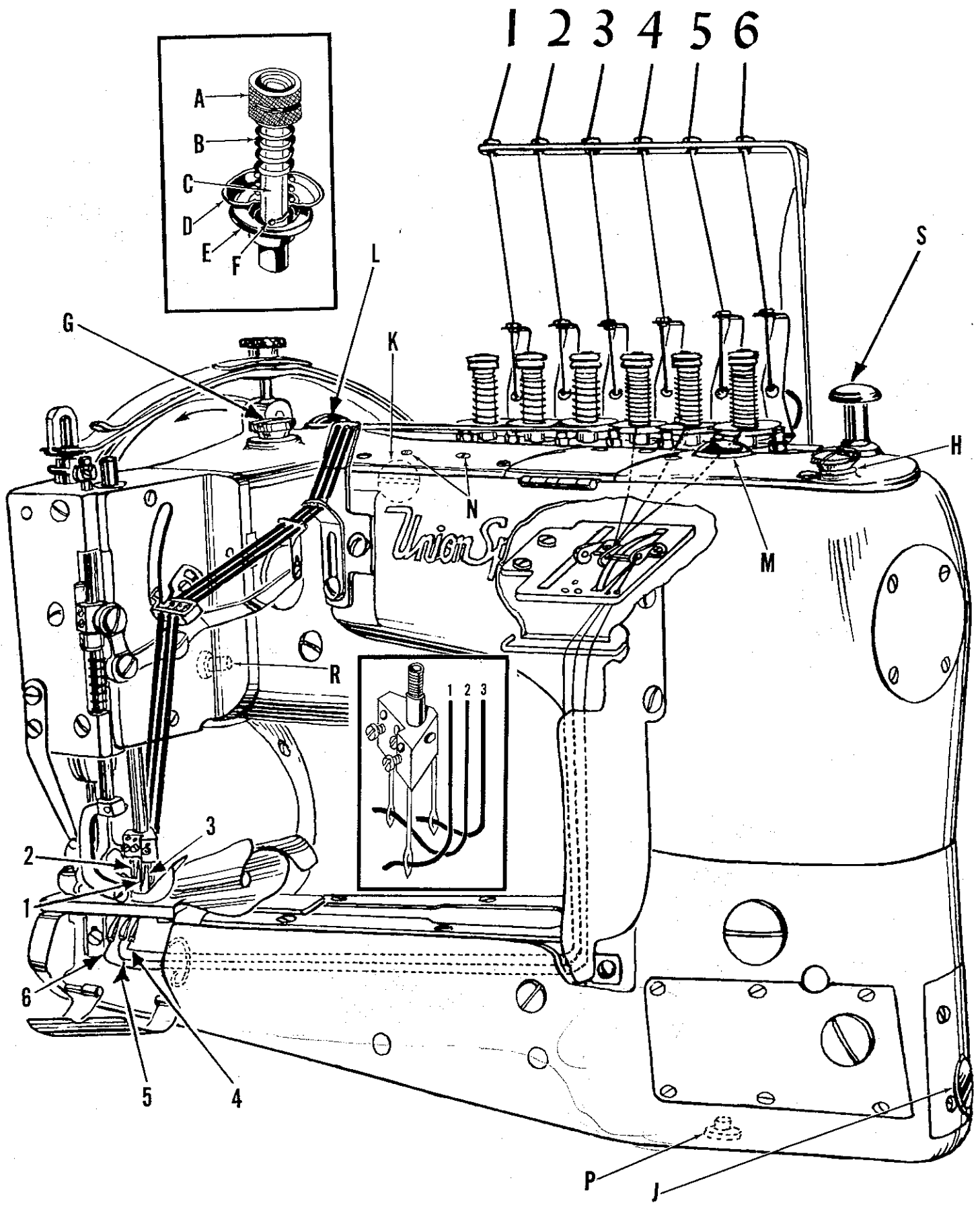


OILING AND THREADING DIAGRAM FOR ALL STYLES IN CLASS 35700, EXCEPT STYLES 35700 BS AND DS.

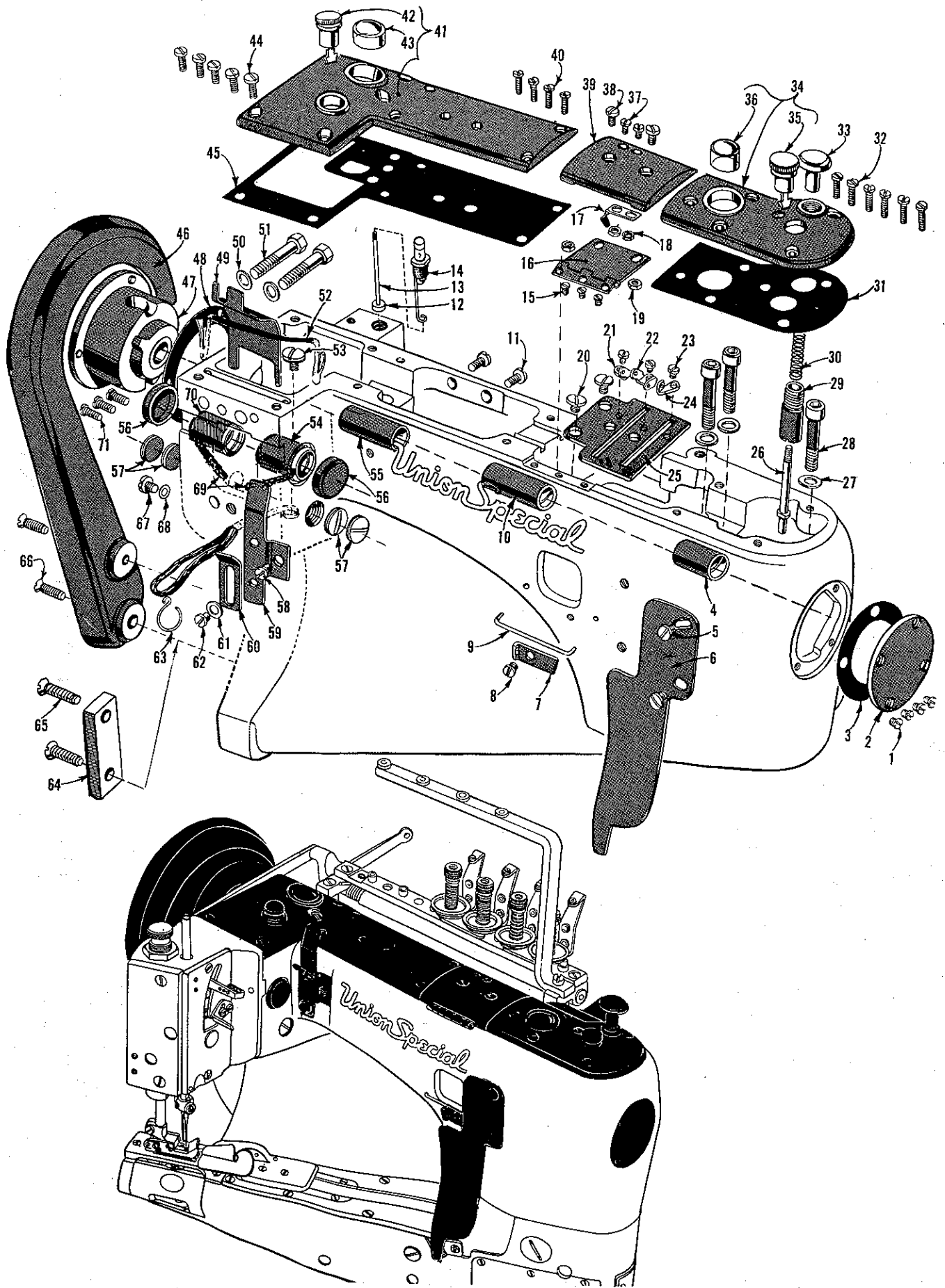
NEEDLE THREADING OF STYLES 35700 AL AND CL ARE INDICATED BY THE BROKEN LINES.



OILING AND THREADING DIAGRAM FOR STYLES 35700 BS, DS AND ALL STYLES IN CLASS 35800, EXCEPT STYLES 35800 BQ, BR, DQ AND DR.

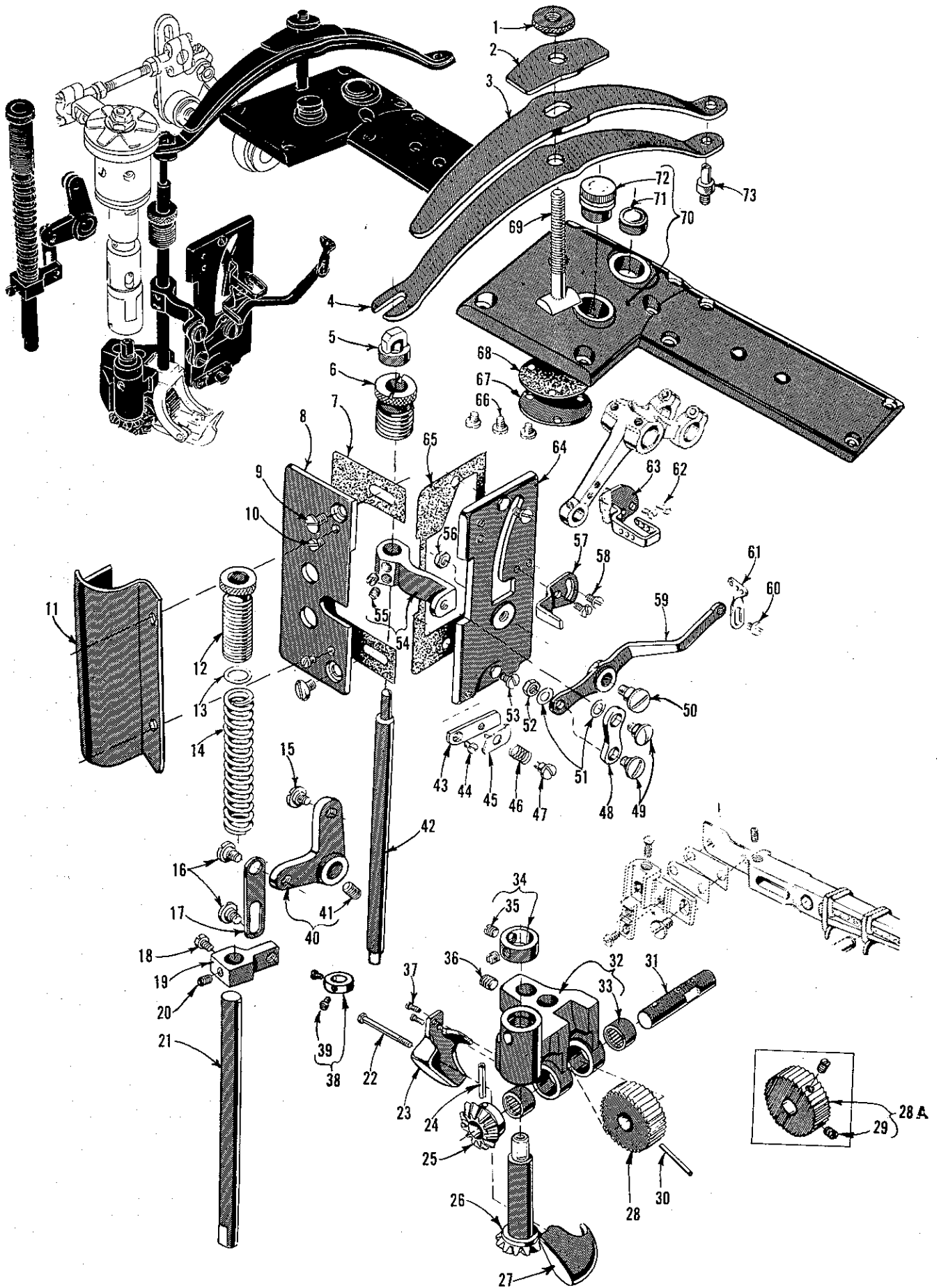


OILING AND THREADING DIAGRAM FOR STYLES 35800 BQ, BR, DQ AND DR.



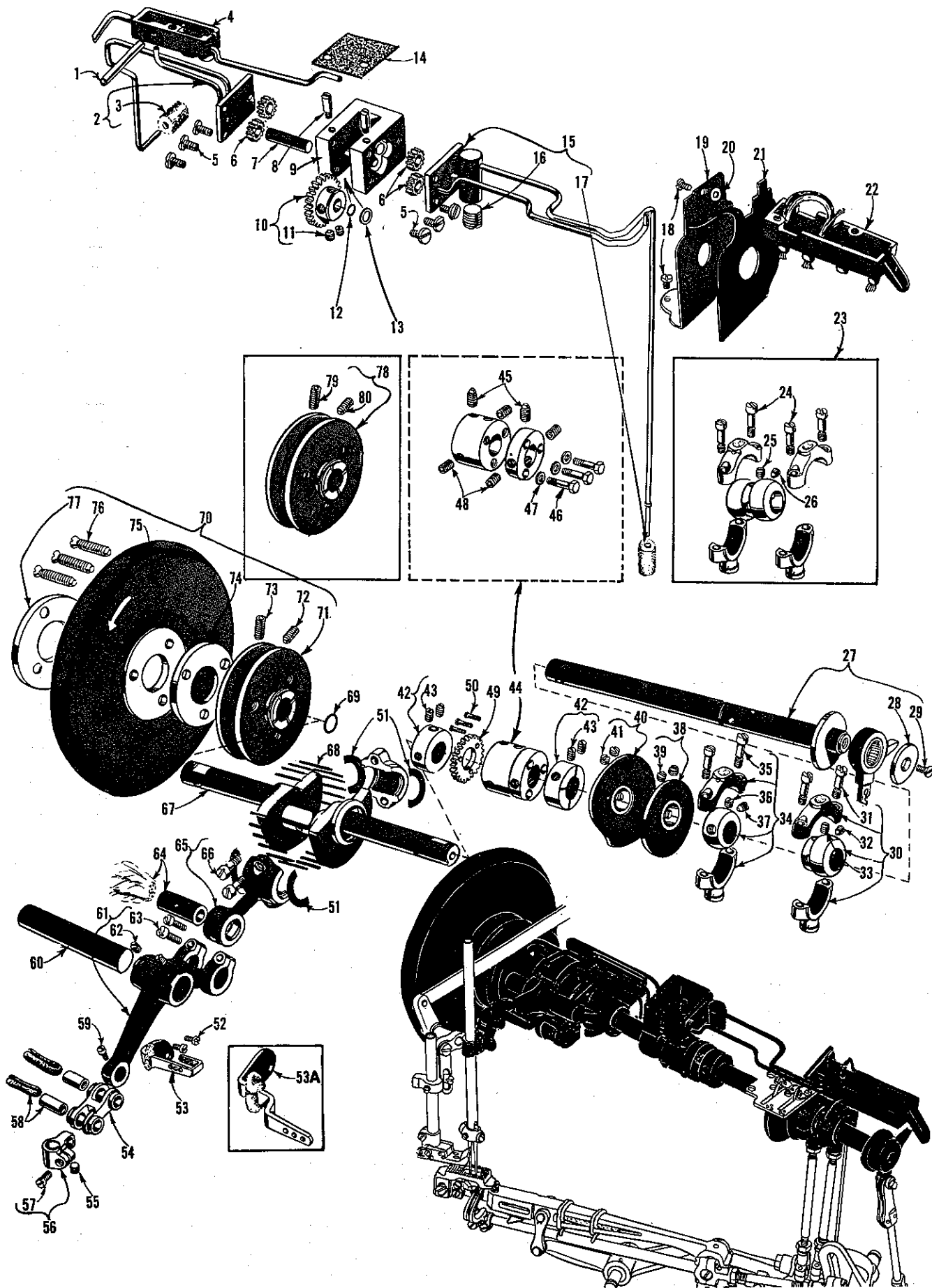
MAIN FRAME, MISCELLANEOUS COVERS AND BUSHINGS

Ref. No.	Part No.	Description	Amt. Req.
1	22564 B	Screw	4
2	35887 Z	Main Frame End Cover	1
3	35887 V	Gasket	1
4	36290 B	Mainshaft Bushing, front	1
5	22829	Screw	2
6	35856 AA	Looper Thread Shield	1
7	35756 E	Needle Thread Eyelet, for Styles 35700 AK, AM, AN, CK, CM, CN	1
8	87 U	Screw	1
9	35781 D	Looper Thread Guide Wire	1
10	35890 D	Mainshaft Bushing, rear	1
11	93	Screw	2
12	39593 C	Oil Gauge Float	1
13	36293 E	Oil Height Indicator	1
14	36293 B	Oil Sight Gauge	1
15	22564 B	Screw	3
16	35887 R	Middle Top Cover Hinge	1
17	35887 M	Spring	1
18	41071 G	Nut	2
19	12934 A	Nut	2
20	22730	Screw	2
21	35772 R	Cast-off Plate Eyelet, for Styles 35700 AK, AM, AN, CK, CM, CN	1
22	35772 S	Cast-off Plate Eyelet	1
23	28	Screw, for Styles 35700 AK, AM, AN, CK, CM, CN	3
-	28	Screw, for Styles 35700 AL, BS, CL, DS and all Class 35800	2
24	35772 T	Cast-off Plate Eyelet	1
25	35704 C	Cast-off Plate	1
26	35853 W	Looper Throw-out Plunger	1
27	6042 A	Washer	3
28	22806 G	Screw	1
29	35853 AA	Looper Throw-out Plunger Bushing	1
30	35853 Y	Spring	1
31	35887 AD	Gasket	1
32	22516 A	Screw	6
33	35853 Z	Looper Throw-out Plunger Knob	1
34	35887 AE	Top Cover, front	1
35	50-537 Blk.	Oil Sight Gauge	1
36	666-96	Oil Cup	1
37	90	Screw	2
38	93 A	Screw	2
39	35887 X	Top Cover, middle	1
40	22516 A	Screw	4
41	35888 N	Crank Chamber Cover, for all Styles except 35800 BQ, BR, DQ, DR	1
42	666-96	Oil Cup	1
43	50-537 Blk.	Oil Sight Gauge	1
44	93	Screw	5
45	35888 P	Gasket	1
46	21375 AK	Belt Guard, for table mounted machine	1
47	35890 F	Bushing Housing, including bushing	1
48	56390 E	Crankshaft Bearing Housing Gasket	1
49	35889 H	Oil Shield	1
50	6042 A	Washer	2
51	22759 A	Screw	2
52	CL21	Oil Wick	1
53	22711	Screw	1
54	35760 D	Needle Lever Shaft Bushing, front	1
55	35890 E	Crankshaft Bushing, front	1
56	35761 D	Bushing Cap	2
57	22539 E	Plug Screw	4
58	22570 A	Screw	1
59	35871 B	Needle Thread Eyelet, three holes	1
60	35871 A	Needle Thread Eyelet, three holes	1
61	8372 A	Washer	1
62	22570	Screw	1
63	35897 AW	Oil Wicking Hook	1
64	21375 AU	Spacer Block for Styles 35800 BQ, BR	1
65	22574 A	Screw, for Styles 35800 BQ, BR	2
66	22574	Screw, for table mounted machine except Styles 35800 BQ, BR	2
67	22733 B	Oil Drain Screw	1
68	41394 A	Gasket	1
69	CL21	Oil Wick	3
70	35760 E	Needle Lever Shaft Bushing, rear	1
71	22569 B	Screw	3



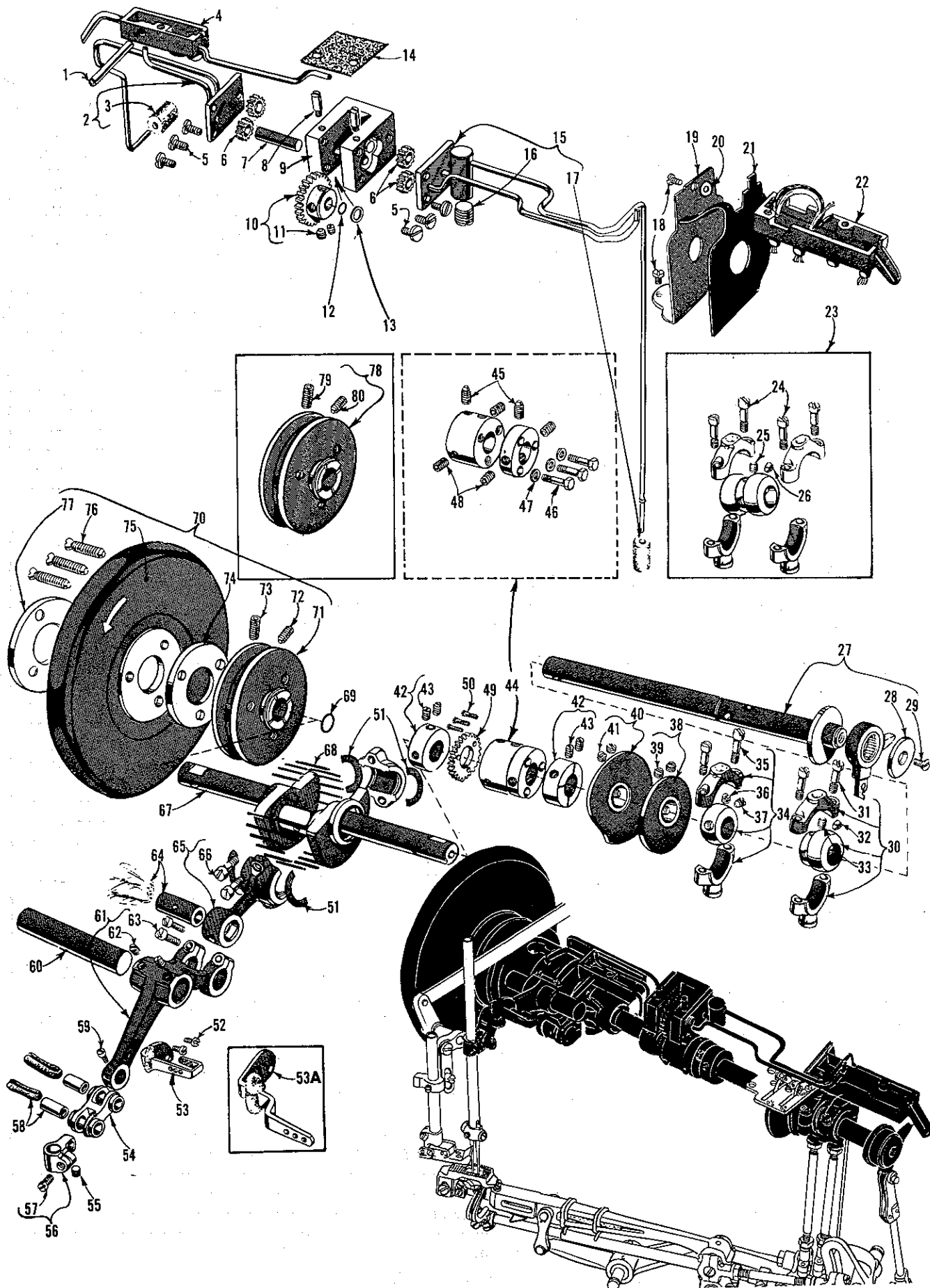
FOR STYLES 35800 BQ, BR, DQ, DR ONLY
MISCELLANEOUS COVERS, UPPER ROLLER FEED AND ROLLER FEED TENSION PARTS

Ref. No.	Part No.	Description	Amt. Req.
1	35733 B	Presser Spring Regulating Nut-----	1
2	35833 C	Presser Spring Plate-----	1
3	35833 E	Presser Spring, upper-----	1
4	35833 D	Presser Spring, lower-----	1
5	55287 L	Presser Spring Rest-----	1
6	35878 H	Presser Bar Bushing and Spring Regulator -----	1
7	35889 AA	Head Cover Gasket, left-----	1
8	35889 Y	Head Cover, left-----	1
9	22829	Screw-----	2
10	22564 B	Screw, for No. 35889 Z-----	2
11	35889 Z	Head Cover, front-----	1
12	61257 G	Roller Presser Spring Regulator-----	1
13	61256 G	Presser Spring Washer-----	1
14	35873 Z	Roller Presser Spring -----	1
15	86	Screw-----	1
16	22758 C	Screw-----	2
17	35880 K	Lifter Lever Bell Crank Link-----	1
18	33174 B	Screw-----	1
19	35873 X	Presser Bar Connection-----	1
20	22764	Screw-----	1
21	35873 W	Roller Presser Bar-----	1
22	22851	Screw-----	1
23	35875 N	Gear Guard, front-----	1
24	660-219 M	Roll Pin-----	1
25	35875 B	Driven Miter Gear-----	1
26	35875 D	Drive Miter Gear-----	1
27	35875 P	Gear Guard, rear-----	1
28	35826 U	Feed Roller, .468 inch (11.89 mm) wide, 36 teeth-----	1
28A	35826 M	Feed Roller, .406 inch (10.31 mm) wide, 36 teeth-----	1
-	35826 N	Feed Roller, .406 inch (10.31 mm) wide, 82 teeth-----	1
29	22560 B	Screw-----	2
30	660-219 X	Roll Pin, for 35826 U-----	1
31	35873 AD	Feed Roller Shaft-----	1
32	35873 AC	Feed Roller Frame, for .468 inch (11.89 mm) wide roller-----	1
-	35873 AB	Feed Roller Frame, for .406 inch (10.31 mm) wide roller-----	1
33	660-303	Needle Bearing-----	2
34	14649	Drive Gear Collar-----	1
35	88	Screw-----	2
36	22894 C	Screw-----	1
37	22738	Screw-----	2
38	52888 B	Presser Bar Stop Collar-----	1
39	22562	Screw-----	2
40	35880 P	Lifter Lever Bell Crank-----	1
41	22894 J	Screw-----	1
42	35878 S	Presser Bar-----	1
43	43296	Needle Thread Nipper Base-----	1
44	605	Screw-----	1
45	57 WB	Needle Thread Nipper Spring Plate-----	1
46	15438 C	Needle Thread Nipper Spring-----	1
47	57 WD	Screw-----	1
48	35869 D	Control Lever Connection Link-----	1
49	22758 E	Screw-----	2
50	22557 A	Screw-----	1
51	53634 C	Washer-----	2
52	12934 A	Nut-----	1
53	22524	Screw-----	2
54	35869 L	Thread Controller Arm-----	1
55	89	Screw-----	2
56	12982	Nut-----	1
57	35870	Needle Thread Take-up-----	1
58	22768	Screw-----	2
59	35869 C	Needle Thread Control Lever-----	1
60	25 B	Screw-----	1
61	35869 K	Needle Thread Lever Control Eyelet-----	1
62	J87 J	Screw-----	2
63	35864 F	Needle Lever Thread Eyelet-----	1
64	35889 X	Head Cover, front-----	1
65	35889 B	Gasket-----	1
66	98 A	Screw-----	3
67	35888 L	Cover Plate-----	1
68	35888 M	Gasket-----	1
69	35878 F	Regulating Screw-----	1
70	35888 NR	Crank Chamber Cover-----	1
71	50-537 Blk.	Oil Sight-----	1
72	666-96	Oil Cup-----	1
73	35833 F	Presser Spring Rest-----	1



MISCELLANEOUS OILING, MAINSHAFT,
CRANKSHAFT AND NEEDLE LEVER PARTS

Ref. No.	Part No.	Description	Amt. Req.
1	35897 BU	Reservoir Outlet Tube, for all Styles except 35700 AK, AM, AN, CK, CM, CN-----	1
-	35897 BX	Reservoir Outlet Tube, for Styles 35700 AK, AM, AN, CK, CM, CN-----	1
2	35897 CC	Oil Pump Housing Cover, rear-----	1
3	35897 BV	Intake Filter-----	1
4	35894 J	Oil Reservoir, back-----	1
5	22585 A	Screw-----	6
6	51493 E	Gear-----	4
7	35897 BP	Gear Shaft-----	1
8	21756 G	Vent Screw, for oil pump-----	2
9	35897 BN	Oil Pump Housing-----	1
10	35897 BR	Oil Pump Driven Gear-----	1
11	89	Screw-----	2
12	660-220	Oil Seal Ring-----	1
13	6042 A	Washer-----	1
14	35897 BW	Gasket-----	1
15	35897 BM	Oil Pump Housing Cover, front-----	1
16	22571 B	Plug Screw-----	1
17	35897 BV	Intake Filter-----	1
18	90	Screw-----	2
19	36261 B	Take-up Shield-----	1
20	80265	Spacer Washer-----	1
21	35861 D	Gasket-----	1
22	35894 K	Oil Reservoir, front-----	1
23	29101 G	Feed Lift, Feed Rocker and Looper Avoid Eccentric Assembly, for Styles 35700 AL, CL, BS, DS and all Class 35800-----	1
24	22587 E	Screw-----	4
25	88	Screw-----	1
26	22764	Screw-----	1
27	35722 AE	Mainshaft Assembly, for Styles 35700 AK, AM, AN, CK, CM, CN-----	1
-	35722 AF	Mainshaft Assembly, for Styles 35700 AL, BS, CL, DS, and all Class 35800-----	1
28	35895 V	Washer-----	1
29	22526	Screw-----	1
30	29103 H	Feed Rocker and Looper Avoid Eccentric Assembly, for Styles 35700 AK, AM, AN, CK, CM, CN-----	1
31	22587 E	Screw-----	2
32	22764	Screw-----	1
33	88	Screw-----	1
34	29103 S	Feed Lift Eccentric Assembly, for Styles 35700 AK, AM, AN, CK, CM, CN-----	1
35	22587 E	Screw-----	2
36	88	Screw-----	1
37	22764	Screw-----	1
38	35723 E	Looper Thread Take-up, for Styles 35700 AK, AM, AN, CK, CM, CN-----	1
-	35723 C	Looper Thread Take-up, for Styles 35700 AL, BS, CL, DS and all Class 35800-----	1
39	22580 D	Screw-----	2
40	35723 F	Needle Thread Take-up, for Styles 35700 AK, AM, AN CK, CM, CN-----	1
41	22580 D	Screw-----	2
42	35895 Y	Crankshaft Thrust Collar-----	2
43	22560 B	Screw-----	2
44 to 80		See following page.	

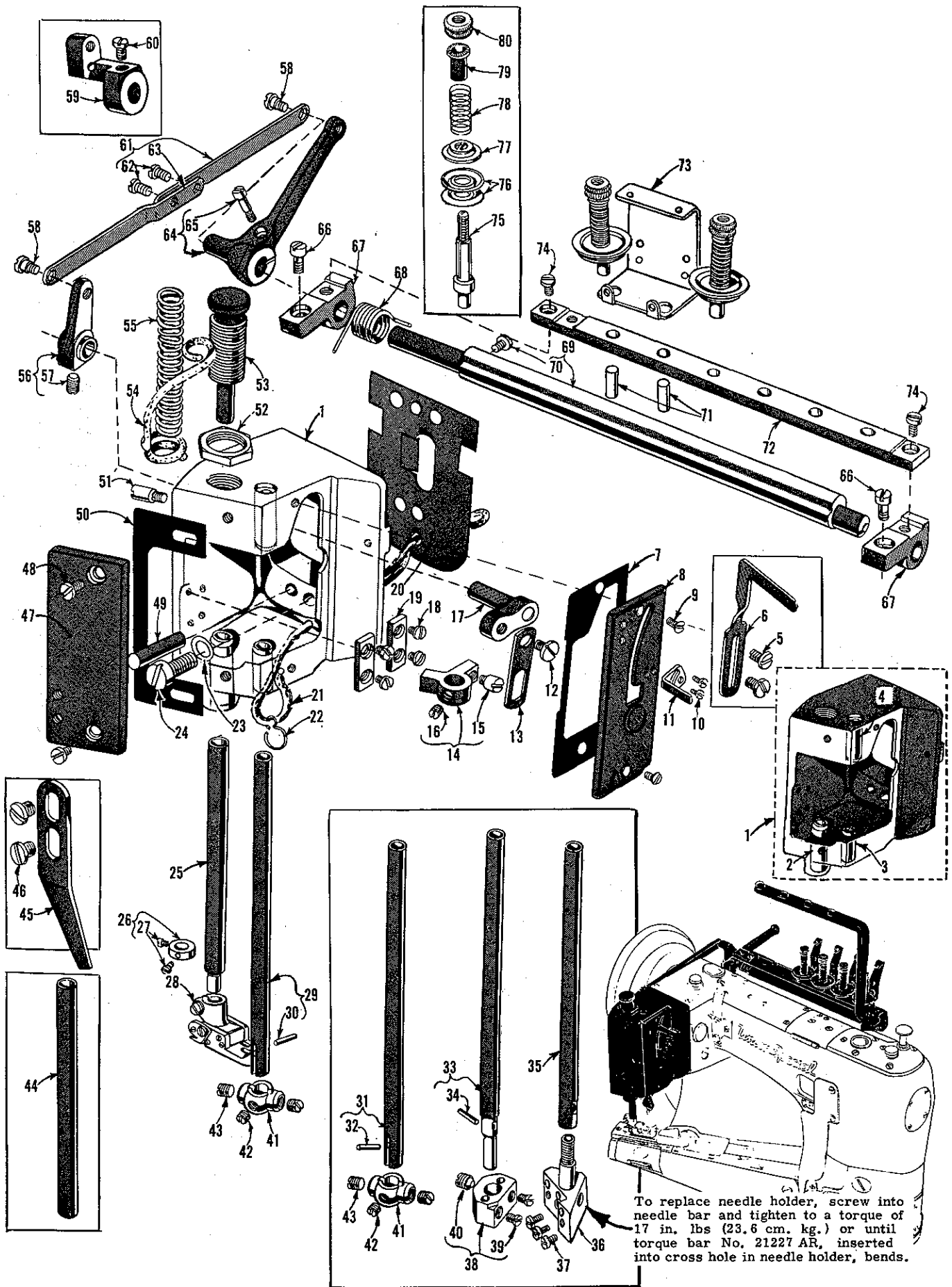


MISCELLANEOUS OILING, MAINSHAFT,
CRANKSHAFT AND NEEDLE LEVER PARTS

Ref. No.	Part No.	Description	Amt. Req.
1 to 43		See Preceding page	
44	35895 W	Mainshaft Coupling-----	1
45	22894 K	Spot Screw-----	2
46	22519 F	Screw-----	3
47	80265	Washer-----	3
48	22894 J	Set Screw-----	4
49	35897 BY	Oil Pump Driving Gear-----	1
50	22797	Screw-----	3
51	35763 G	Needle Bearing Retainer-----	4
52	87 U	Screw, for 35764 D, all Styles except 35700 AL, CL-----	2
-	77	Screw, for 35764 D, Styles 35700 AL, CL-----	2
53	35764 D	Needle Lever Thread Eyelet, for Styles 35700 AK, AL, AM, AN, CK, CL, CM, CN-----	1
53A	35864 G	Needle Lever Thread Eyelet, for Styles 35700 BS, DS, and all Class 35800 except BQ, BR, DQ, DR-----	1
54	56354 A	Needle Lever Link-----	1
55	22564	Screw-----	1
56	51254 J	Needle Bar Connection-----	1
57	22562 A	Screw-----	1
58	51054	Link Pin-----	2
59	77	Screw-----	1
60	35761	Needle Lever Shaft-----	1
61	35815 A	Needle Lever-----	1
62	22596 B	Screw-----	2
63	22729	Screw-----	2
64	35763	Needle Lever Connecting Rod Pin-----	1
65	35862	Needle Lever Connecting Rod-----	1
66	22587 B	Screw-----	2
-	35722 L	Crankshaft, for Styles 35700 AK, AM, AN, CK, CM, CN-----	1
67	35822 T	Crankshaft, for Styles 35700 AL, BS, CL, DS and all Class 35800 except 35800 BQ, BR, DQ, DR-----	1
68	35763 F-625	Needle Bearing, .0625 inch (1.588 mm) diameter-----	28
-	35763 F-626	Needle Bearing, .0626 inch (1.590 mm) diameter-----	28
-	35763 F-627	Needle Bearing, .0627 inch (1.593 mm) diameter-----	28
-	35763 F-628	Needle Bearing, .0628 inch (1.595 mm) diameter-----	28
69	660-202	"O" Ring, for pulley-----	1
*70	35721 K	Pulley Assembly, for Styles 35700 AK, AL, AM, AN, BS, 35800 AC, AD, AV, AX, AY, BV, BX, BY; for use with No. 1 Vee or round belt-----	1
-	35721 D	Pulley Assembly, for Styles 35700 AK, AL, AM, AN, BS, 35800 AC, AD, AV, AX, AY, BV, BX, BY; for use with No. 2 Vee belt-----	1
71	35721 J	Pulley, for 35721 K-----	1
-	35721 C	Pulley, for 35721 D-----	1
72	**22894 H	Spot Screw-----	1
73	**22894 E	Set Screw-----	1
74	35721 G	Spacer Plate-----	1
75	35721 F	Handwheel-----	1
76	22574 A	Screw-----	3
77	35721 H	Clamp Plate-----	1
78	35721 J	Pulley, for Styles 35700 CK, CL, CM, CN, DS, 35800 CC, CD, CV, CX, CY, DV, DX, DY; for use with No. 1 Vee or round belt-----	1
-	35721 C	Pulley, for Styles 35700 CK, CL, CM, CN, DS, 35800 CC, CD, CV, CX, CY, DV, DX, DY; for use with No. 2 Vee belt-----	1
79	**22894 E	Set Screw-----	1
80	**22894 H	Spot Screw-----	1

* DISCONTINUED - Order Component Parts.

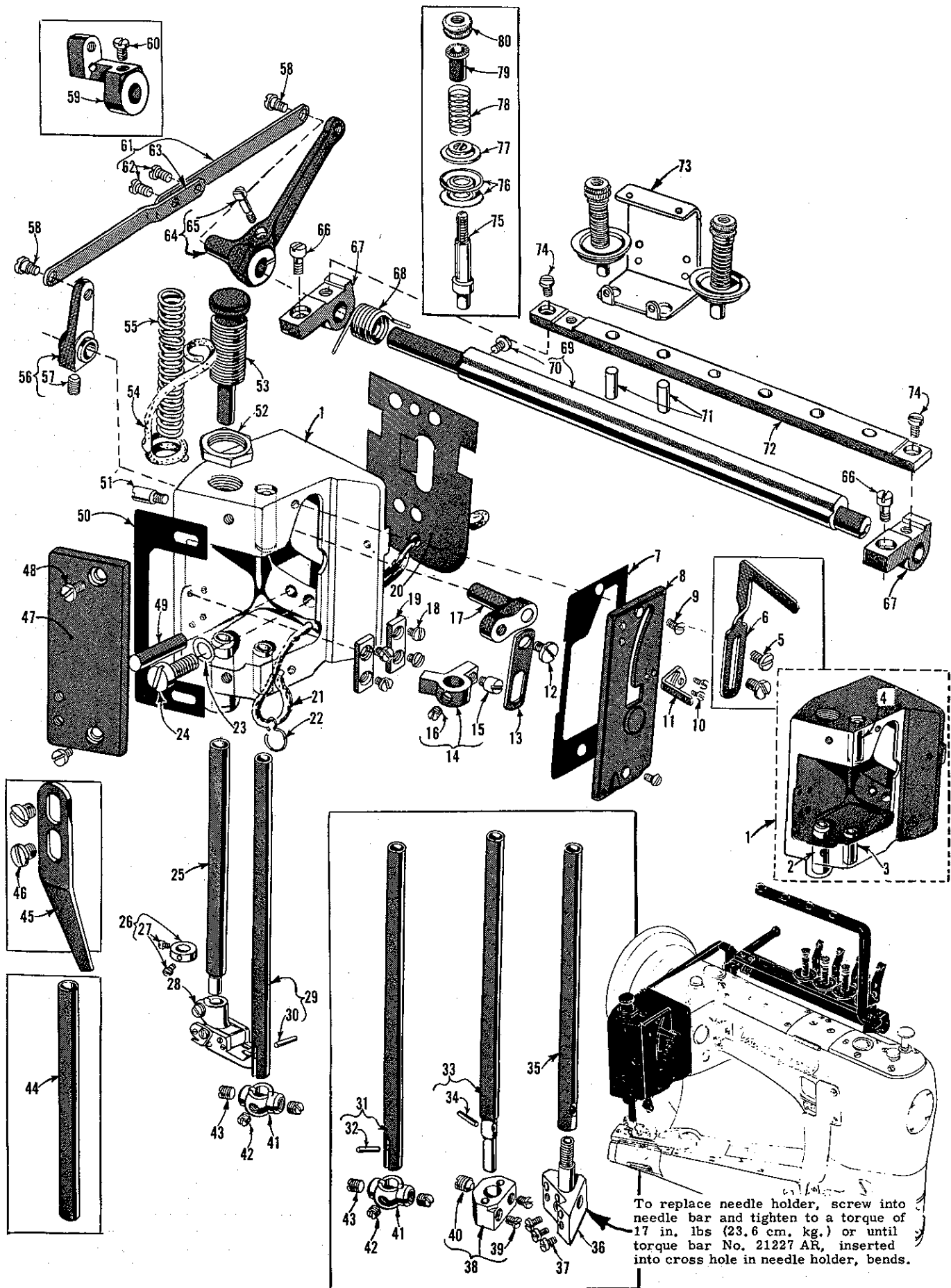
** Not Included with pulley No. 35721 C.



To replace needle holder, screw into needle bar and tighten to a torque of 17 in. lbs (23.6 cm. kg.) or until torque bar No. 21227 AR, inserted into cross hole in needle holder, bends.

DETACHABLE HEAD, PRESSER BARS, NEEDLE BARS

Ref. No.	Part No.	Description	Amt. Req.
1	35829 AA	Detachable Head, for all Styles except 35800 BQ, BR, DQ, DR-----	1
2	35731 F	Presser Bar Bushing, lower-----	1
3	35859 C	Needle Bar Bushing, lower-----	1
4	35859 D	Needle Bar Bushing, upper-----	1
5	22768	Screw-----	2
6	35870 A	Needle Thread Take-up, for Styles 35700 BS, DS and all Class 35800 except BQ, BR, DQ, DR-----	1
7	35889 AD	Gasket, for all Styles except 35800 BQ, BR, DQ, DR-----	1
8	35889 U	Detachable Head Cover, front, for all Styles except 35800 BQ, BR, DQ, DR-----	1
9	22524	Screw-----	2
10	28	Screw-----	2
11	35770 H	Needle Thread Take-up, for Styles 35700 AK, AL, AM, AN, CK, CL, CM, CN-----	1
12	22758 C	Screw-----	1
13	35880 L	Lifter Lever Connection Link-----	1
14	35831 C	Presser Bar Lifter and Guide-----	1
15	402	Screw-----	1
16	22560 B	Screw-----	1
17	35880 N	Presser Bar Lifter Lever-----	1
18	22513	Screw-----	4
19	35731 A	Presser Bar Guide Plate-----	2
20	35889 G	Baffle Plate-----	1
21	WO-3	Wool Yarn-----as required	
22	35897 AW	Oil Wicking Hook-----	1
23	6042 A	Washer-----	1
24	318	Screw-----	1
25	35731 E	Presser Bar, for Styles 35700 AK, AL, AM, AN, BS, CK, CL, CM, CN, DS, 35800 AC, CC-----	1
26	52888 B	Presser Bar Stop Collar-----	1
27	22562	Screw-----	2
28		Presser Foot (Refer to Pages Nos. 35, 37, 39, 41, 43)-----	1
29	35717 E-8	Needle Bar, for No. 8 gauge Styles 35700 AK, AM, CK, CM, marked "DX-8"-----	1
-	35717 E-10	For No. 10 gauge Styles 35700 AK, AM, CK, CM, marked "DX-10"-----	1
-	35717 E-12	For No. 12 gauge Styles 35700 AK, AL, AM, AN, CK, CL, CM, CN, marked "DX-12"-----	1
-	35717 E-16	For No. 16 gauge Styles 35700 AK, AL, AM, AN, CK, CL, CM, CN, marked "DX-16"-----	1
30	50 J-16	Stop Pin-----	1
31	35817 G-12	Needle Bar, for No. 12 gauge Styles 35800 AD, CD, marked "EA-12"-----	1
32	50 J-16	Stop Pin-----	1
33	35817 AY	Needle Bar, for No. 16 gauge Styles 35800 AC, AD, AV, AX, AY, CC, CD, CV, CX, CY and No. 18 gauge Styles 35800 AC, AV, AX, AY, CC, CV, CX, CY, marked "DZ"-----	1
34	50 J-16	Stop Pin-----	1
35	35817 E	Needle Bar, for Nos 7, 8, 9 gauge Styles 35700 BS, DS, 35800 BQ, BR, BV, BX, BY, DQ, DR, DV, DX, DY, marked "DY"-----	1
36	35818 BY-7	Needle Holder, for No. 7 gauge Styles 35700 BS, DS, marked "V-7"-----	1
-	35818 BY-8	For No. 8 gauge Styles 35700 BS, DS, 35800 BQ, BR, BV, BX, BY, DQ, DR, DV, DX, DY, marked "V-8"-----	1
-	35818 BY-9	For No. 9 gauge Styles 35800 BQ, BR, BV, BX, BY, DQ, DR, DV, DX, DY, marked "V-9"-----	1
37	605	Screw-----	3
38	35818 AC-16	Needle Holder, for No. 16 gauge Styles 35800 AC, AD, AV, AX, AY, CC, CD, CV, CX, CY, marked "T-16"-----	1
-	35818 AC-18	Needle Holder, for No. 18 gauge Styles 35800 AC, AV, AX, AY, CC, CV, CX, CY, marked "T-18"-----	1
39	22784 A	Screw-----	2
40	89	Screw-----	1
41	51418-16	Needle Holder, for Nos. 8, 10, 12, 16 gauge Styles 35700 AK, AL, AM, AN, CK, CL, CM, CN and No. 12 gauge Styles 35800 AD, CD, marked "D-16"-----	1
42	89	Screw-----	1
43	98	Screw-----	2
44	35878 G	Presser Bar, for Styles 35800 AD, AV, AX, AY, BV, BX, BY, CD, CV, CX, CY, DV, DX, DY-----	1
45	35831 F	Presser Foot Stop, for Styles 35800 AD, AV, AX, AY, BV, BX, BY, CD, CV, CX, CY, DV, DX, DY-----	1
46	22584	Screw-----	2
47	35889 AC	Detachable Head Cover, left, for all Styles except 35800 BQ, BR, DQ, DR-----	1
48	22528	Screw-----	2
49	664 F-16	Dowel Pin, tapered-----	1
50	35889 AA	Gasket-----	2
51	42 A	Lifter Lever Link Stop Screw, for all Styles except 35800 BQ, BR, DQ, DR-----	1
52	35733 G	Lock Nut-----	1
53	35733 E	Presser Spring Regulator, for all Styles except 35800 BQ, BR, DQ, DR-----	1
54	CL21	Oil Wick-----	1
55	35733 F	Presser Spring, for Styles 35700 AK, AM, AN, CK, CM, CN-----	1
-	35833 K	Presser Spring, for Styles 35700 BS, DS and all Class 35800 except BQ, BR, DQ, DR-----	1
-	61356	Presser Spring, for Styles 35700 AL, CL-----	1
56 to 80		See following page.	



To replace needle holder, screw into needle bar and tighten to a torque of 17 in. lbs (23.6 cm. kg.) or until torque bar No. 21227 AR, inserted into cross hole in needle holder, bends.

FOOT LIFTER AND TENSION PARTS

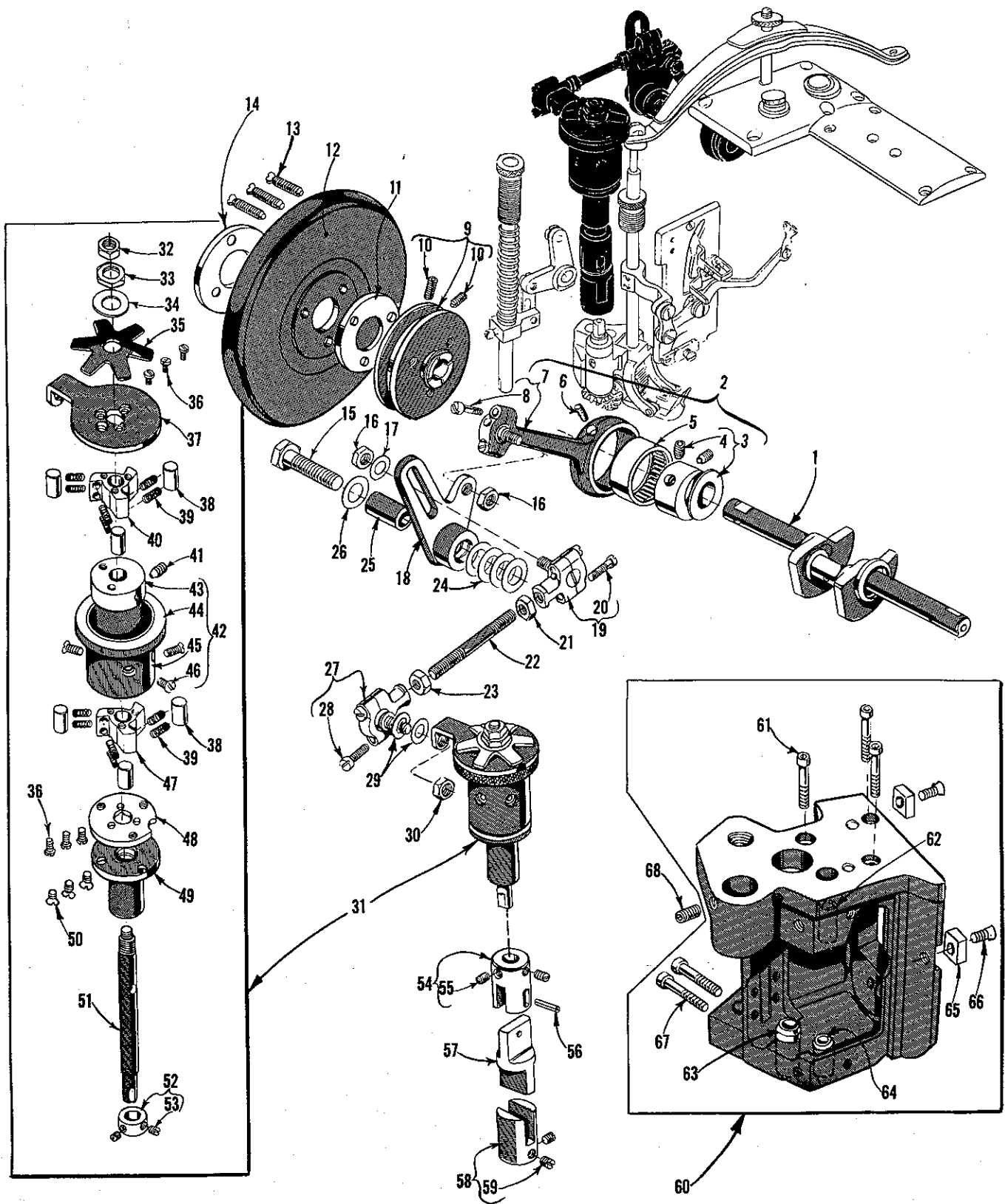
Ref. No.	Part No.	Description	Amt. Req.
1 to 55		See preceding page	
56	35880 M	Lifter Lever Link Connection, for all Styles except 35800 BQ, BR, DQ, DR-	1
57	22894 J	Screw-----	1
58	86	Screw, for table mounted machines-----	2
-	86	Screw, for pedestal machines-----	3
59	35880 E	Lifter Lever, for pedestal machines-----	1
60	22839	Screw-----	1
61	36280 L	Lifter Lever Link Assembly-----	1
62	22585 C	Screw-----	2
63	36280 K	Lifter Lever Link-----	1
64	35780 E	Lifter Lever, for table mounted machines-----	1
65	22587 E	Screw-----	1
66	136	Screw-----	2
67	36292 M	Tension Plate Bracket-----	2
68	36292 K	Tension Release Shaft Spring-----	1

THREAD TENSION PARTS

Ref. No.	Part No.	Description	Amount Required	
			Two Needle Machine	Three Needle Machine
69	36292 N	Tension Release Shaft	1	1
70	22784 F	Screw	1	1
71	36292 L	Tension Disc Release Pin	4	6
72	36292-6	Tension Support	1	1
73	36292 H	Tension Thread Eyelet	2	3
74	94	Screw	2	2
75	36292 J	Tension Post	4	6
76	109	Tension Disc, small	8	12
77	61292 H	Tension Disc Releasing Washer	4	6
78		See Table Below		
79	107	Tension Post Ferrule	4	6
80	108	Tension Nut	4	6

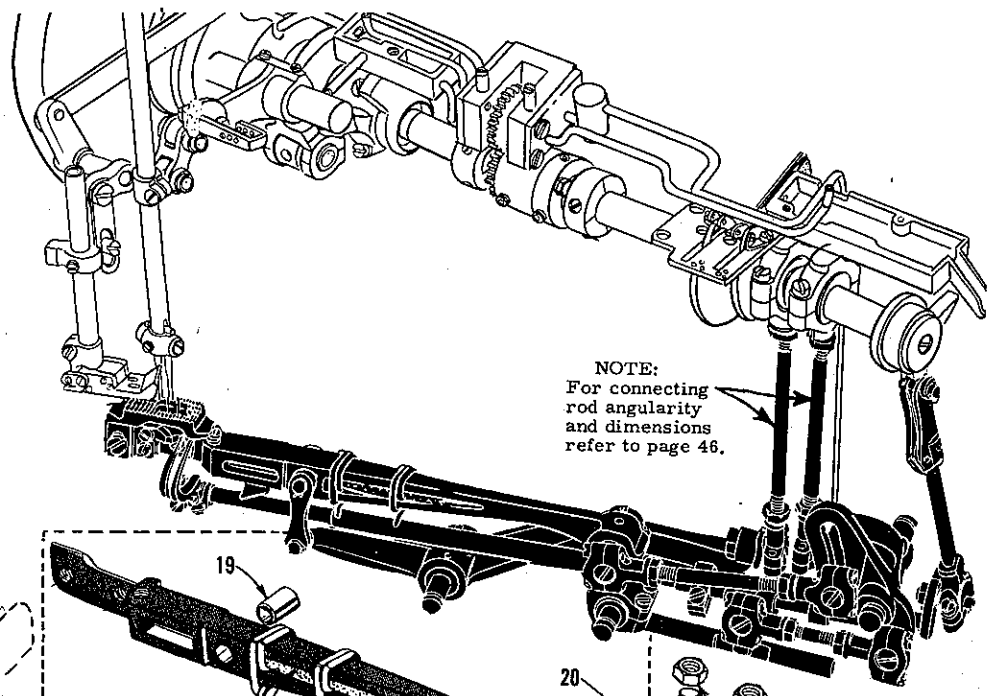
TENSION SPRINGS

Ref. No.	Part No.	Description	Machine Styles	Amt. Req.
78	51292 F-4	Looper Thread Tension	35700 AK, AL, AM, AN, CK, CL, CM, CN 35800 AC, AD, AV, AX, AY, CC, CD, CV, CX, CY	2
	51292 F-4	Looper Thread Tension	35700 BS, DS, 35800 BQ, BR, BV, BX, BY, DQ, DR, DV, DX, DY	3
	51292 F-5	Needle Thread Tension	35700 AK, AL, AM, AN, CK, CL, CM, CN	2
	51292 F-5	Needle Thread Tension	35700 BS, DS	3
	110-3	Needle Thread Tension	35800 AC, AD, AV, AX, AY, CC, CD, CV, CX, CY	2
	110-3	Needle Thread Tension	35800 BQ, BR, BV, BX, BY, DQ, DR, DV, DX, DY	3

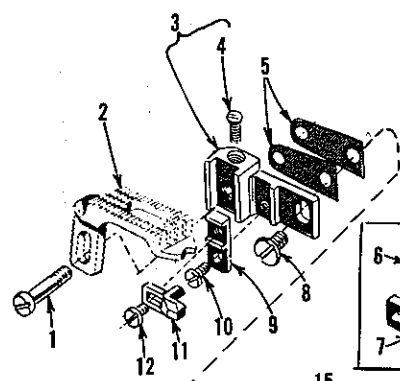


PULLEY, CRANKSHAFT, CLUTCH AND CLUTCH DRIVING MECHANISM
FOR STYLES 35800 BQ, BR, DQ, DR (UNLESS OTHERWISE SPECIFIED)

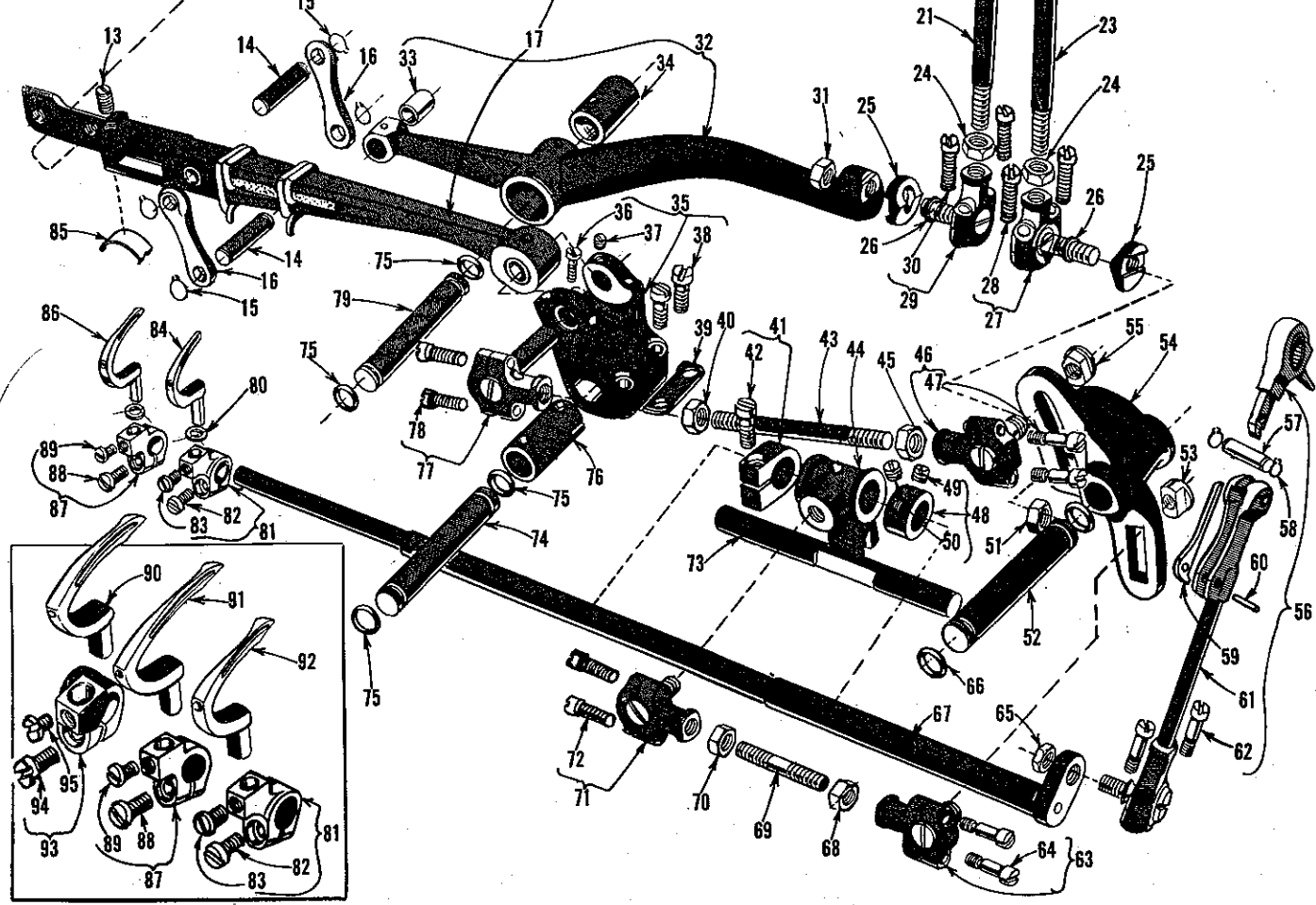
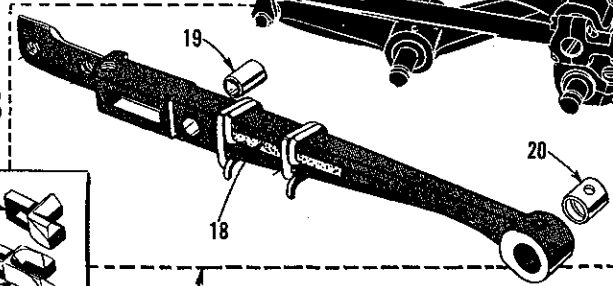
<u>Ref. No.</u>	<u>Part No.</u>	<u>Description</u>	<u>Amt. Req.</u>
1	35822 W	Crankshaft -----	1
2	29727 B	Connecting Rod and Clutch Driving Eccentric Assembly -----	1
3	35877 X	Eccentric, .300 inch throw -----	1
4	22894 D	Screw -----	2
5	660-244	Needle Bearing -----	1
6	666-186	Oil Wick -----	1
7	35877 B	Connecting Rod -----	1
8	97 A	Screw -----	2
9	35821 F	Pulley -----	1
10	22894 E	Set Screw -----	2
11	35721 G	Spacing Plate, for Styles 35800 BQ and BR only -----	1
12	35721 F	Handwheel, for Styles 35800 BQ and BR only -----	1
13	22574 A	Screw, for Styles 35800 BQ and BR only -----	3
14	35721 H	Clamp Plate, for Styles 35800 BQ and BR only -----	1
15	22644 K-80	Screw -----	1
16	18	Nut -----	2
17	20	Washer -----	1
18	35877 A	Clutch Driving Segment Lever -----	1
19	35876 V	Ball Joint Assembly, right -----	1
20	22729 C	Screw -----	2
21	269	Nut, left thread -----	1
22	4761	Roller Clutch Connecting Rod -----	1
23	18	Nut -----	1
24	61351 C	Washer -----	4
25	35877 N	Segment Lever Bushing -----	1
26	61351 C	Washer -----	1
27	35876 W	Roller Clutch Ball Joint Assembly -----	1
28	22729 C	Screw -----	2
29	20	Washer -----	2
30	18	Nut -----	1
31	29478 BY	Constant Wedge Angle Clutch Assembly -----	1
32	18	Nut -----	1
33	11638 M	Nut -----	1
34	61351 C	Washer -----	1
35	54274 N	Brake Spring -----	1
36	605 A	Screw -----	6
37	35876 AC	Clutch Drive Lever -----	1
38	54274 L	Roller -----	6
39	29480 KP	Clutch Roller Spring and Wear Cap Assembly -----	12
40	54274 H	Clutch Disc, upper -----	1
41	22894 H	Spot Screw -----	1
42	35876 AB	Barrel Assembly -----	1
43	50-835 Blk.	Barrel Core -----	1
44	35876 AD	Drive Lever Brake -----	1
45	50-834 Blk.	Barrel -----	1
46	538	Screw -----	3
47	54274 H	Clutch Disc, lower -----	1
48	35876 AG	Locking Spacer -----	1
49	35876 AF	Lower Bearing -----	1
50	222 D	Screw -----	3
51	35876 AE	Feed Drive Shaft -----	1
52	41363 U	Collar -----	1
53	22743	Screw -----	2
54	35876 AH	Feed Roller Connection, upper -----	1
55	22560 B	Screw -----	2
56	660-219	Roll Pin -----	1
57	54279	Feed Roller Drive Floating Connection -----	1
58	54274 C	Feed Roller Connection, lower -----	1
59	22560 B	Screw -----	2
60	35829 AC	Detachable Head -----	1
61	22653 B-8	Screw -----	3
62	35759 A	Needle Bar Bushing, upper -----	1
63	35831 G	Presser Bar Bushing, lower -----	1
64	35859 L	Needle Bar Bushing, lower -----	1
65	35767	Sewing Head Key -----	2
66	22524	Screw -----	2
67	22653 B-16	Screw -----	2
68	22894 C	Screw -----	1



NOTE:
For connecting
rod angularity
and dimensions
refer to page 46.

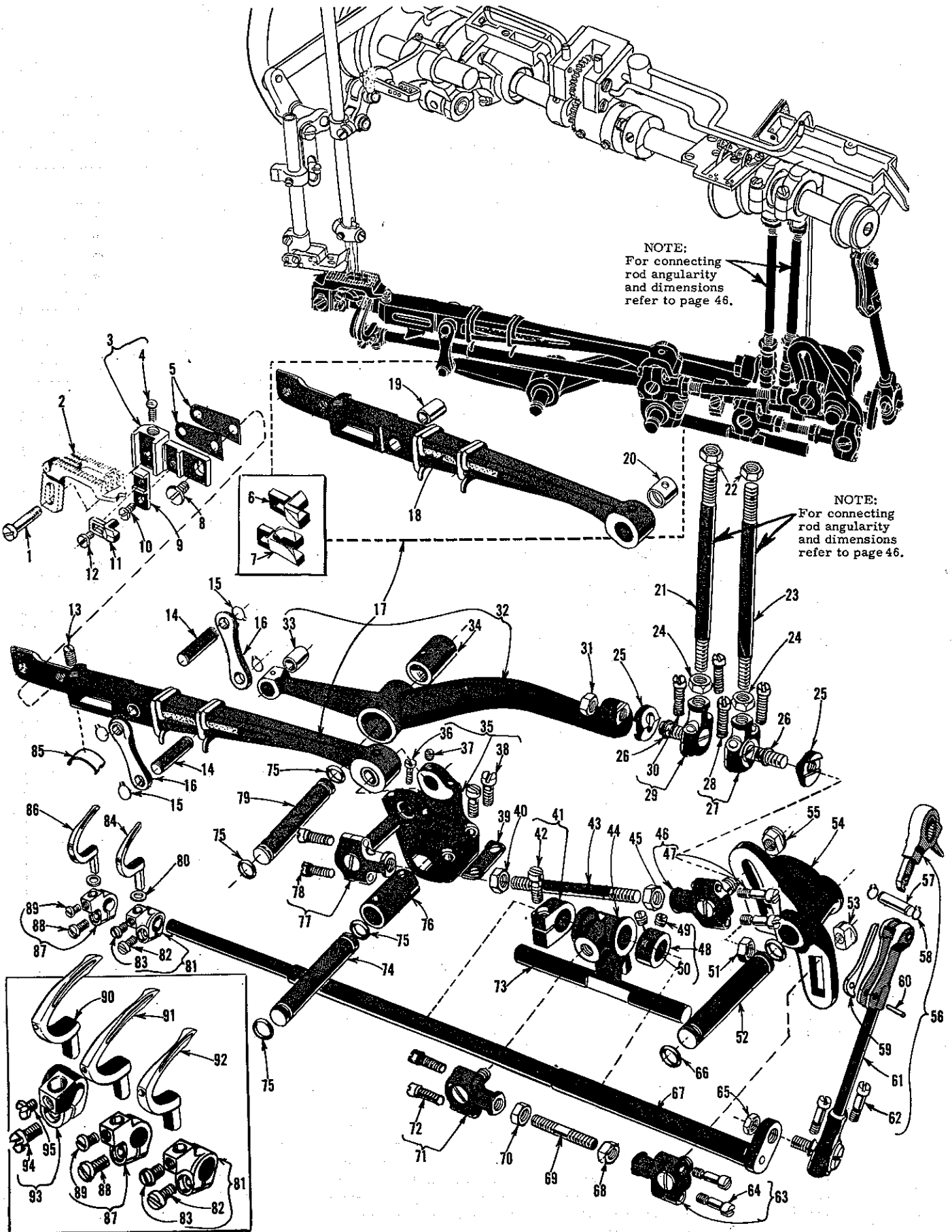


NOTE:
For connecting
rod angularity
and dimensions
refer to page 46.



MISCELLANEOUS FEED PARTS, LOOPER DRIVE PARTS AND NEEDLE GUARDS

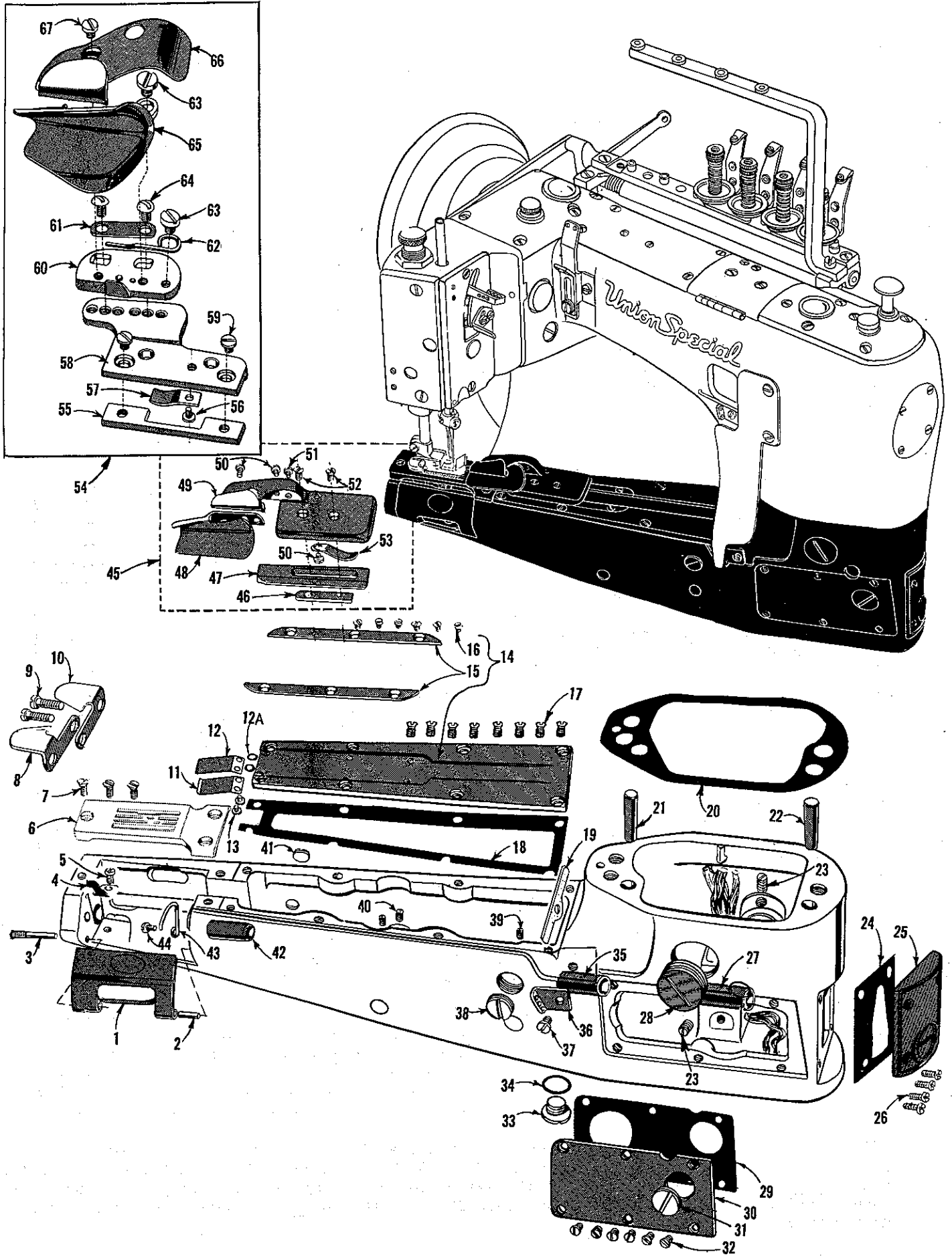
<u>Ref. No.</u>	<u>Part No.</u>	<u>Description</u>	<u>Amt. Req.</u>
1	22874 C	Screw, for all feed dogs-----	1
2		Feed Dog (Refer to Pages Nos. 35, 37, 39, 41, 43)-----	1
3	35834 U	Feed Dog Holder-----	1
4	538	Screw, for adjusting feed dog height-----	1
5	35834 V-3	Feed Dog Holder Shim-----	2
6	35825 D	Needle Guard, for Styles 35800 AC, AD, AV, AX, AY, CC, CD, CV, CX, CY, marked "FN"-----	1
7	35825 E	Needle Guard, for Styles 35700 BS, DS, 35800 BQ, BR, BV, BX, EY, DQ, DR, DV, DX, DY, marked "FQ"-----	1
8	376	Screw-----	1
9	35835 A	Needle Guard Holder, for all two needle styles-----	1
-	35835 B	Needle Guard Holder, for all three needle styles-----	1
10	22768	Screw-----	1
11	35725 D	Needle Guard, for Styles 35700 AK, AL, AM, AN, CK, CL, CM, CN, marked "FM"-----	1
12	87 U	Screw, for all needle guards-----	1
13	22580 A	Feed Dog Support Screw-----	1
14	35844 E	Link Pin-----	2
15	660-199	Retaining Ring-----	4
16	35844 D	Link, right and left (a pair)-----	1
17	35834 R	Feed Bar-----	1
18	666-47	Oil Wicking-----	1
19	35834 N	Bushing-----	1
20	35834 G	Bushing-----	1
21	35847 E	Feed Lift Eccentric Connecting Rod-----	1
22	269	Nut, left thread-----	2
23	43246	Feed Rocker and Looper Avoid Eccentric Connecting Rod-----	1
24	18	Nut, right thread-----	2
25	35746 A	Ball Stud Washer-----	2
26	41355 U-4	Shim, .004 inch (0.10 mm) thick -----	as required
-	41355 U-5	Shim, .005 inch (0.13 mm) thick -----	as required
-	41355 U-6	Shim, .006 inch (0.15 mm) thick -----	as required
-	41355 U-7	Shim, .007 inch (0.18 mm) thick -----	as required
-	41355 U-8	Shim, .008 inch (0.20 mm) thick -----	as required
-	41355 U-9	Shim, .009 inch (0.23 mm) thick -----	as required
27	35841 B	Ball Joint-----	1
28	22729 C	Screw-----	2
29	35846	Ball Joint-----	1
30	22729 C	Screw-----	2
31	258	Nut-----	1
32	35844	Feed Lift Lever-----	1
33	35844 C	Bushing-----	1
34	35736 A	Bushing-----	1
35	35836	Feed Rocker-----	1
36	22747	Screw-----	1
37	22743	Screw-----	1
38	22572	Screw-----	2
39	35736 B	Feed Rocker Bushing Key-----	1
40	18	Nut, right thread-----	1
41	35751 G	Thrust Collar-----	1
42	22572 B	Screw-----	1
43	39141	Connecting Rod-----	1
44	35751	Looper Rocker Shaft Cross Head-----	1
45	269	Nut, left thread-----	1
46	35837 N	Ball Joint-----	1
47	22729 C	Screw-----	2
48	35751 F	Looper Shaft Collar-----	1
49	88	Screw-----	1
50	89	Screw-----	1
51	258	Nut-----	1
52	35842 H	Feed Rocker and Looper Lever Shaft-----	1
53	35766 A	Nut-----	1
54	35842	Feed Rocker and Looper Avoid Lever-----	1
55 to 95		See following page.	



MISCELLANEOUS FEED PARTS, LOOPER DRIVE PARTS AND LOOPERS

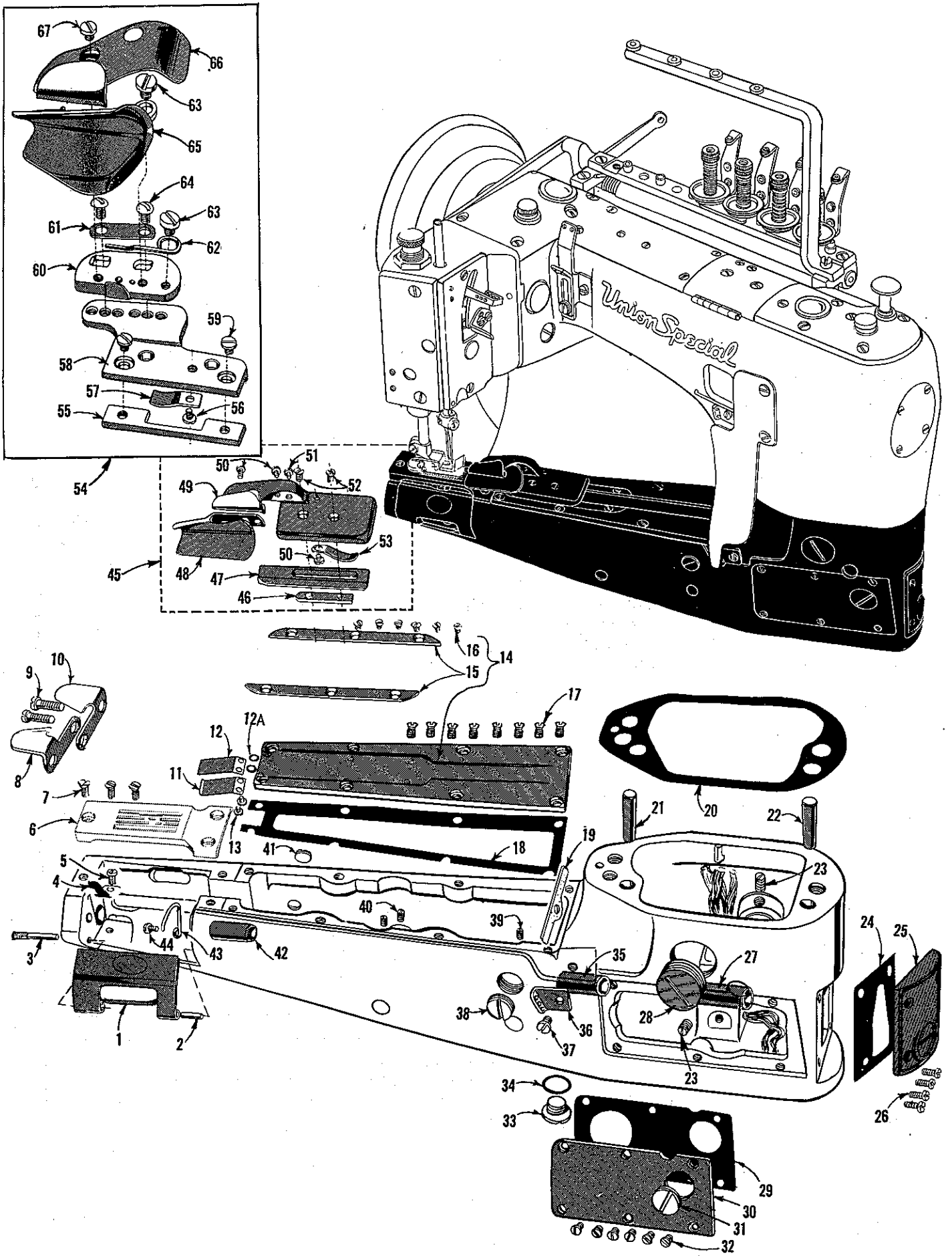
<u>Ref.</u> <u>No.</u>	<u>Part</u> <u>No.</u>	<u>Description</u>	<u>Amt.</u> <u>Req.</u>
1 to 54		See preceding page	
55	35766 B	Nut-----	1
*56	35853 AL	Looper Drive Connecting Rod Assembly (SEE NOTE)-----	1
57	35853 V	Hinge Pin-----	1
58	660-310	Tru-Arc Ring-----	2
59	56341 G	Locking Spring-----	1
60	50-458 Blk.	Pin-----	1
61	35853 AK	Looper Drive Connecting Rod-----	1
62	97 A	Screw-----	2
63	35851	Ball Joint-----	1
64	22729 C	Screw-----	2
65	258 A	Nut-----	1
66	660-220	Oil Seal Ring-----	2
67	35849 B	Looper Rocker Shaft-----	1
68	269	Nut, left thread-----	1
69	35851 G	Connecting Rod-----	1
70	18	Nut, right thread-----	1
71	35851 A	Ball Joint-----	1
72	22729 C	Screw-----	2
73	35751 B	Cross Head Guide Shaft-----	1
74	35843 B	Feed Rocker Shaft-----	1
75	660-221	Oil Seal Ring-----	4
76	35736 A	Feed Rocker Bushing-----	1
77	35837 A	Ball Joint-----	1
78	22729 C	Screw-----	2
79	35845 D	Feed Lift Lever Shaft-----	1
80	21210 B	Looper Collar, for Styles 35700 AK, AM, AN, CK, CM CN-----	2
81	35848 B	Looper Holder, for left looper on all styles, marked "A"-----	1
82	22562 A	Screw-----	1
83	22564 D	Screw-----	1
84	35708 AK	Looper, left, for Styles 35700 AK, AM, AN, CK, CM, CN-----	1
-	35708 AJ	Looper, left, for Styles 35700 AL, CL, marked "AW"-----	1
85	35884 L	Cylinder Lint Shield and Spring, lower-----	1
86	35709 AK	Looper, right, for Styles 35700 AK, AM, AN, CK, CM, CN-----	1
-	35709 AJ	Looper, right, for Styles 35700 AL, CL, marked "AX"-----	1
87	35848 E	Looper Holder, for right looper on all styles, marked "D"-----	1
88	22562 A	Screw-----	1
89	22564	Screw-----	1
90	35809 BY	Looper, middle, for Styles 35700 BS, DS, 35800 BQ, BR, BV, BX, BY, DQ, DR, DV, DX, DY, marked "AY"-----	1
91	35809 AY	Looper, right, for Styles 35700 BS, DS, 35800 AC, AD, AV, AX, AY, BQ, BR, BV, BX, BY, CC, CD, CV, CX, CY DQ, DR, DV, DX, DY, marked "AV"-----	1
92	35808 AY	Looper, left, for Styles 35700 BS, DS, 35800 AC, AD, AV, AX, AY, BQ, BR, BV, BX, BY, CC, CD, CV, CX, CY, DQ, DR, DV, DX, DY, marked "AU"-----	1
93	35848 D	Looper Holder, for middle looper on Styles 35700 BS, DS, 35800 BQ, BR, BV, BX, BY, DQ, DR, DV, DX, DY, marked "C"-----	1
94	22562 A	Screw-----	1
95	22564	Screw-----	1

*NOTE: Needle bearings in looper drive connection are fitted to mainshaft at assembly, for proper oil clearance. Flange of mainshaft Nos. 35722 AE and 35722 AF, page No. 17, are marked with 1 to 6 lines, denoting proper Group Size of corresponding needle bearing to be assembled. When ordering repair part, order should read 35853 AL (Group# _____), specify number of lines ground into flange of mainshaft.



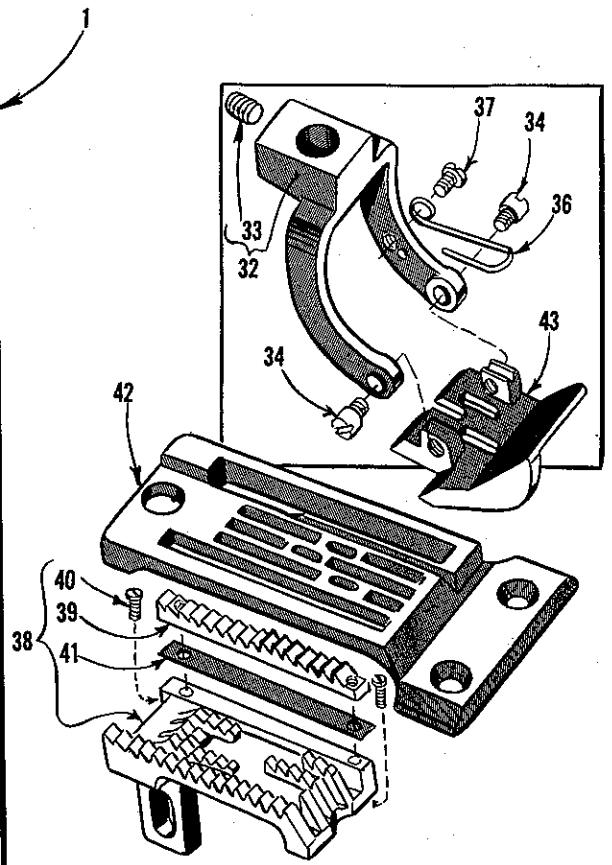
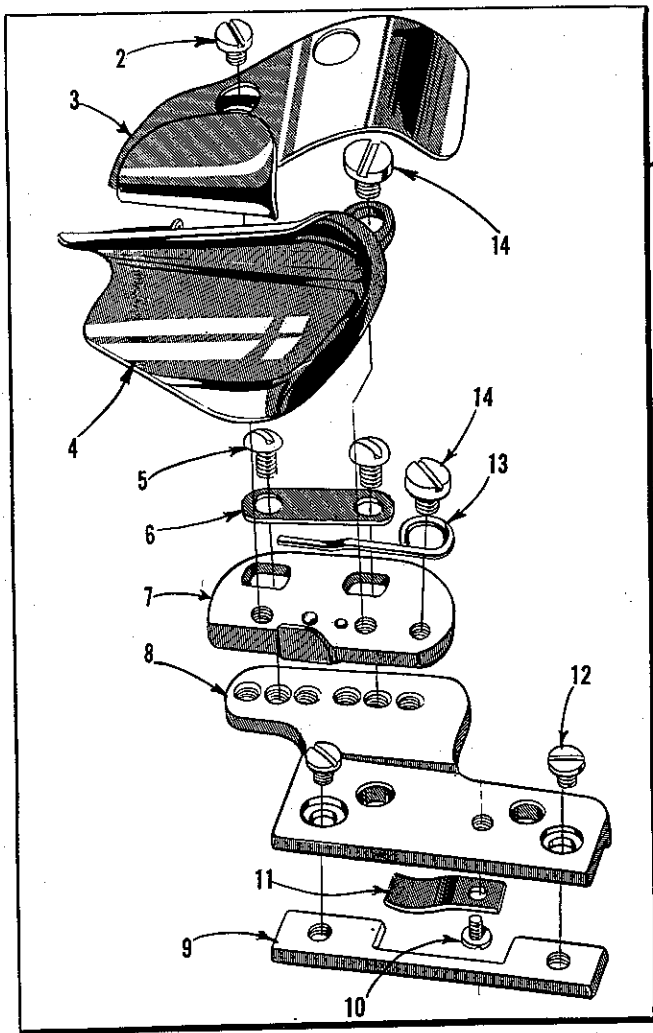
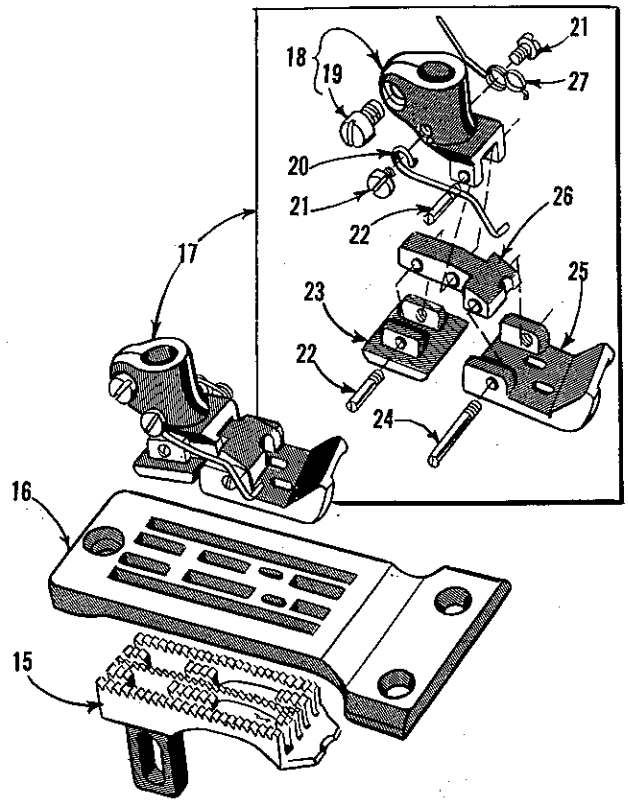
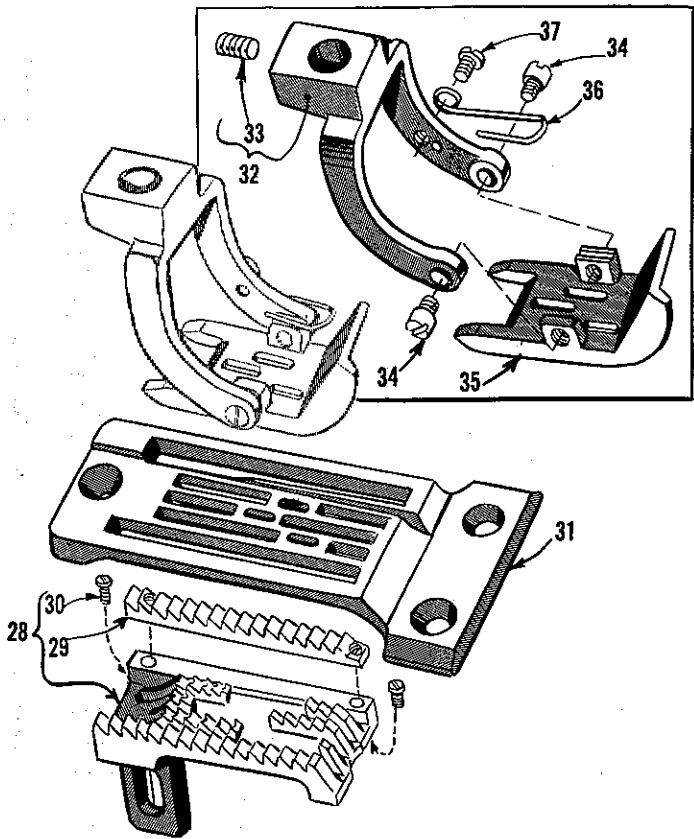
CYLINDER COVERS AND BUSHINGS

<u>Ref. No.</u>	<u>Part No.</u>	<u>Description</u>	<u>Amt. Req.</u>
1	35883 H	Cylinder Hinged Cover -----	1
2	35883 G	Pin -----	1
3	35883 F	Screw Pin -----	1
4	35883 E	Spring -----	1
5	90	Screw -----	1
6		Throat Plate (Refer to Pages Nos. 35, 37, 39, 41, 43)---	1
7	22524	Screw, for all throat plates -----	3
8	35796 B	Chain Cutter Blade, upper, for Styles 35700 AL, AM, AN, BS, CL, CM, CN, DS and all Class 35800-----	1
9	22747	Screw -----	2
10	35796 C	Chain Cutter Blade, lower, for Styles 35700 AL, AM, AN, BS, CL, CM, CN, DS and all Class 35800-----	1
11	35884 E	Cylinder Lint Shield, upper -----	1
12	35884 F	Cylinder Lint Shield Spring -----	1
12A	27-435 Blk.	Washer -----	2
13	22798	Screw -----	2
14	35883 A	Cylinder Cover -----	1
15	35883 J	Guide Plate -----	2
16	22561 A	Screw -----	6
17	22526 B	Screw -----	8
18	35883 M	Gasket -----	1
19	35883 K	Gasket -----	1
20	36284	Gasket -----	1
21	667 D-16	Dowel Pin, straight -----	1
22	664 F-24	Dowel Pin, tapered -----	1
23	531	Screw -----	2
24	35884 D	Gasket -----	1
25	35884 H	Cylinder Cover and Oil Gauge -----	1
26	J87 J	Screw -----	4
27	35850 C	Looper Shaft Bushing, front -----	1
28	22539 D	Plug Screw -----	1
29	35886 B	Gasket -----	1
30	35886 C	Cylinder Side Cover -----	1
31	22539 C	Plug Screw -----	1
32	22564 B	Screw -----	6
33	22733 A	Oil Drain Plug Screw -----	1
34	35897 AX	Gasket -----	1
35	35850 B	Looper Shaft Bushing, middle -----	1
36	35856 Y	Looper Thread Eyelet -----	1
37	22849 A	Screw -----	1
38	22539 H	Plug Screw -----	1
39	88	Screw, for feed rocker shaft -----	1
40	531	Screw, for feed lifter lever shaft -----	2
41	22571 A	Plug Screw -----	1
42	35850 D	Looper Shaft Bushing, rear -----	1
43	36256 B	Looper Thread Guide Wire -----	1
44	22849	Screw -----	1
45 to 67		See following page	



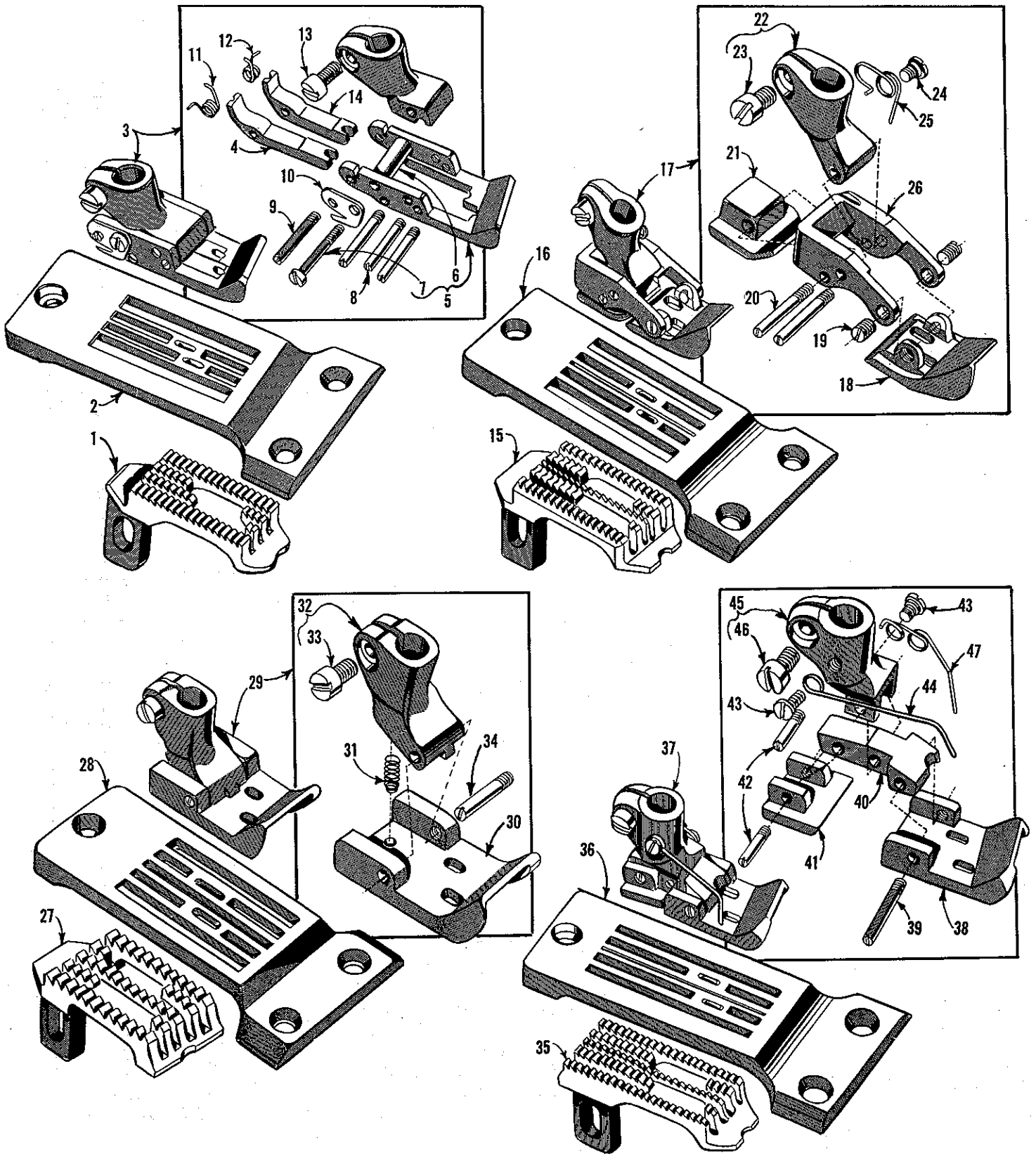
DOUBLE LAP SEAM FELLERS

<u>Ref. No.</u>	<u>Part No.</u>	<u>Description</u>	<u>Amt. Req.</u>
1 to 44		See preceding page	
45	23420 BY-8-1/32	Double Lap Seam Feller, for No. 8 gauge	
		Styles 35700 AK, AM, CK, CM-----	1
	23420 BY-12-1/32	For No. 10 gauge Styles 35700 AK, AM, CK, CM---	1
	23420 BY-12-1/16	For No. 12 gauge Styles 35700 AK, AM, AN, CK, CM, CN-----	1
46	23423 W	Sliding Base Clamp-----	1
47	23423 V	Sliding Base-----	1
48	23422 BY-8-1/32	Lower Scroll, for No. 23420 BY-8-1/32-----	1
	23422 BY-12-1/32	Lower Scroll, for No. 23420 BY-12-1/32-----	1
	23422 BY-12-1/16	Lower Scroll, for No. 23420 BY-12-1/16-----	1
49	23421 BY-8-1/32	Upper Scroll and Base, for No. 23420 BY-8-1/32-----	1
	23421 BY-12-1/32	Upper Scroll and Base, for No. 23420 BY-12-1/32-----	1
	23421 BY-12-1/16	Upper Scroll and Base, for No. 23420 BY-12-1/16-----	1
50	22798	Screw-----	3
51	605 A	Adjusting Screw-----	1
52	22766	Screw-----	2
53	23424 Y	Tension Spring-----	1
54	23420 AY-12-1/16	Double Lap Seam Feller, for No. 12 gauge Styles 35700 AL, CL, No. 16 gauge Styles 35700 AK, AM, AN, CK, CM, CN and No. 7 gauge Styles 35700 BS, DS-----	1
	23420 AY-12-3/32	For No. 12 gauge Styles 35800 AD, CD-----	1
	23420 AY-18-1/16	For No. 8 gauge Styles 35700 BS, DS-----	1
	23420 AY-18-3/32	For No. 16 gauge Styles 35700 AL, CL, 35800 AC, AD, AV, AX, AY, CC, CD, CV, CX, CY and No. 8 gauge Styles 35800 BV, BX, BY, DV, DX, DY-----	1
	23420 AY-18-1/8	For No. 18 gauge Styles 35800 AC, AV, AX, AY, CC, CV, CX, CY, No. 9 gauge Styles 35800 BV, BX, BY, DV, DX, DY, and Nos. 8 and 9 gauge Styles 35800 BR, DR-----	1
55	23424 E	Feller Support Slide, left-----	1
56	73 A	Screw-----	1
57	23424 F	Feller Support Spring-----	1
58	23424 D	Feller Support Slide, right-----	1
59	22561	Screw-----	2
60	23424 T	Lower Scroll Support-----	1
61	23425 T	Clamp Plate-----	1
62	23424 S	Lower Scroll Spring-----	1
63	22760 A	Screw-----	2
64	22849 A	Screw-----	2
65	23422 AY-12-1/16	Lower Scroll, for No. 23420 AY-12-1/16-----	1
	23422 AY-12-3/32	Lower Scroll, for No. 23420 AY-12-3/32-----	1
	23422 AY-18-1/16	Lower Scroll, for No. 23420 AY-18-1/16-----	1
	23422 AY-18-3/32	Lower Scroll, for No. 23420 AY-18-3/32-----	1
	23422 AY-18-1/8	Lower Scroll, for No. 23420 AY-18-1/8-----	1
66	23421 T-12-1/16	Upper Scroll, for No. 23420 AY-12-1/16-----	1
	23421 T-12-3/32	Upper Scroll, for No. 23420 AY-12-3/32-----	1
	23421 Y-9-1/16	Upper Scroll, for No. 23420 AY-18-1/16-----	1
	23421 Y-9-3/32	Upper Scroll, for No. 23420 AY-18-3/32-----	1
	23421 Y-9-1/8	Upper Scroll, for No. 23420 AY-18-1/8-----	1
67	28	Screw-----	1



DOUBLE LAP SEAM FELLER, FEED DOGS,
THROAT PLATE AND PRESSER FEET

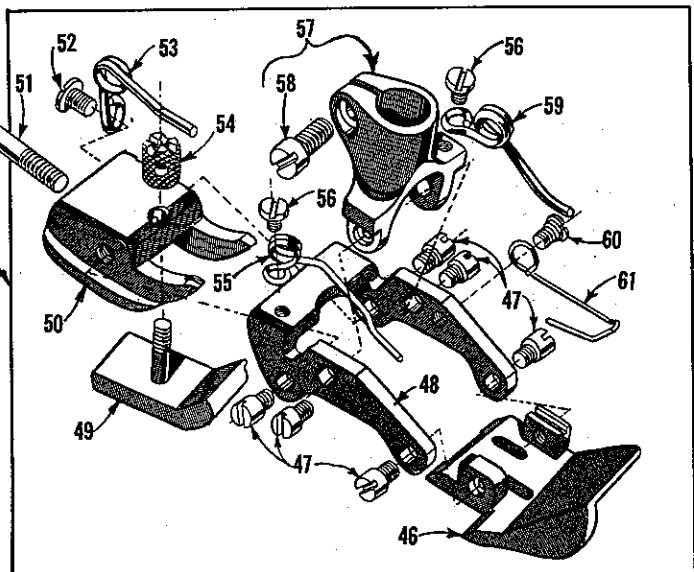
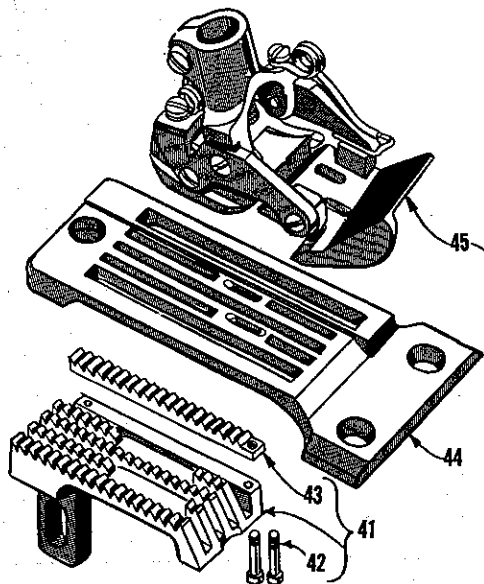
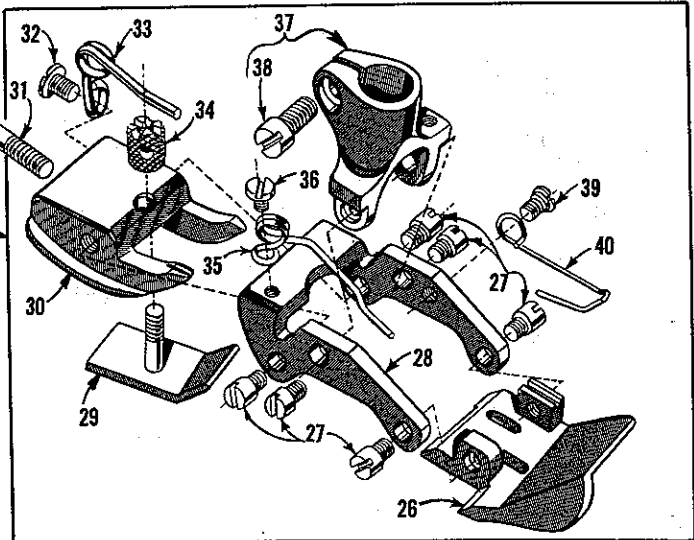
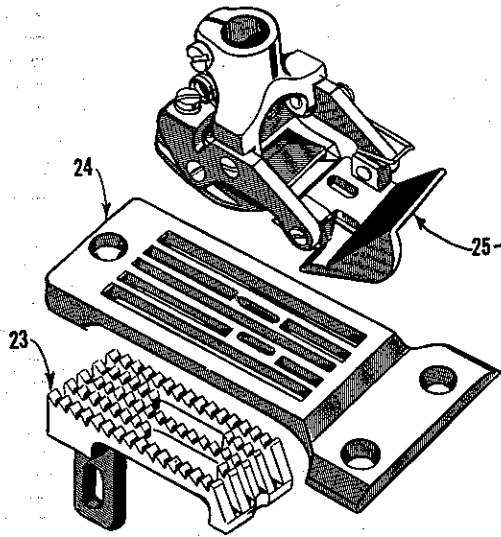
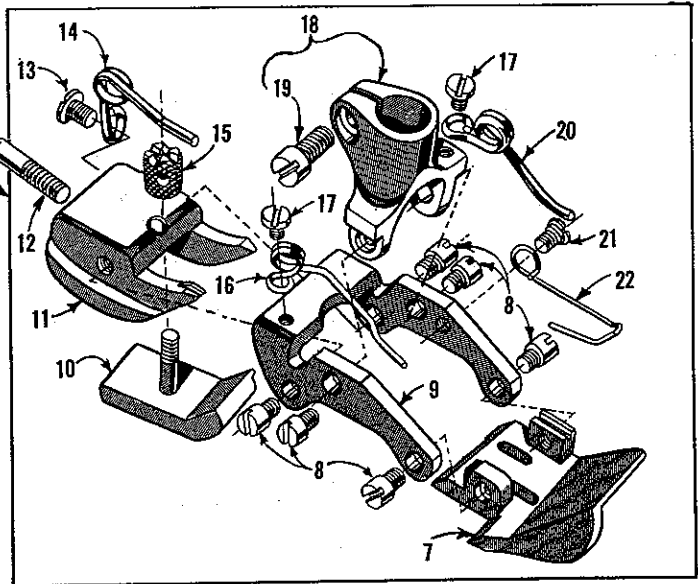
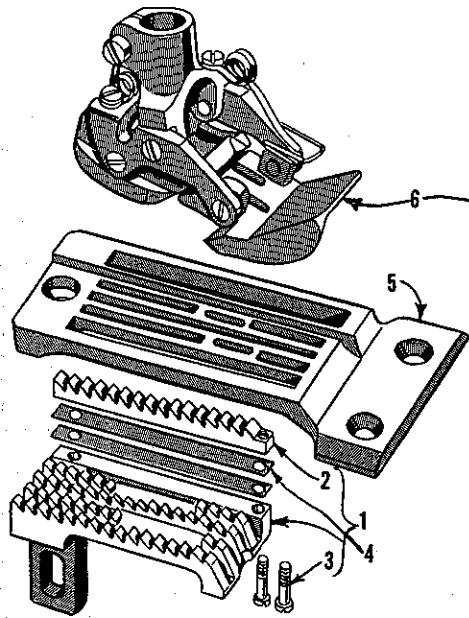
Ref. No.	Part No.	Description	Amt. Req.
1	23420 Z-9-1/8	Double Lap Seam Feller, for Nos. 8 and 9 gauge, Styles 35800 BQ, DQ-----	1
2	28	Screw-----	1
3	23421 Z-9-1/8	Upper Scroll-----	1
4	23422 AY-18-1/8	Lower Scroll-----	1
5	22849 A	Screw-----	2
6	23425 T	Clamp Plate-----	1
7	23424 T	Lower Scroll Support-----	1
8	23424 D	Feller Support Slide, right-----	1
9	23424 E	Feller Support Slide, left-----	1
10	73 A	Screw-----	1
11	23424 F	Feller Support Spring-----	1
12	22561	Screw-----	2
13	23424 S	Lower Scroll Spring-----	1
14	22760 A	Screw-----	2
15	35705 AN-12	Feed Dog, for Nos. 12 and 16 gauge, Style 35700 AN-----	1
16	35724 AN-12	Throat Plate, marked "BB-12", for No. 12 gauge, Style 35700 AN-----	1
	35724 AN-16	Throat Plate, marked "BB-16", for No. 16 gauge, Style 35700 AN-----	1
17	35720 AN-12	Presser Foot, for No. 12 gauge, Style 35700 AN-----	1
	35720 AN-16	Presser Foot, for No. 16 gauge, Style 35700 AN-----	1
18	35730 AM	Shank-----	1
19	91	Clamp Screw-----	1
20	35730 AN	Spring-----	1
21	73 A	Screw-----	2
22	22799 G	Hinge Screw-----	2
23	35730 AP	Bottom, rear-----	1
24	22799 E	Hinge Screw-----	1
25	35730 AK-12	Bottom, front, for No. 12 gauge-----	1
	35730 AK-16	Bottom, front, for No. 16 gauge-----	1
26	35730 AC	Hinged Section-----	1
27	35730 AE	Spring-----	1
28	35805 BQ-9	Feed Dog, for Nos. 8 and 9 gauge, Styles 35800 BQ, DQ-----	1
29	35826 E	Tooth Section-----	1
30	22738 C	Screw-----	2
31	35824 BQ-8	Throat Plate, marked "AE-8", for No. 8 gauge, Styles 35800 BQ, DQ-----	1
	35824 BQ-9	Throat Plate, marked "AE-9", for No. 9 gauge, Styles 35800 BQ, DQ-----	1
32	35874 B	Presser Foot Fork, for Styles 35800 BQ, BR, DQ, DR-----	1
33	22894 C	Screw-----	1
34	22845 A	Screw, for Styles 35800 BQ, BR, DQ, DR-----	2
35	35820 BQ-8	Presser Foot, for No. 8 gauge, for Styles 35800 BQ, DQ---	1
	35820 BQ-9	Presser Foot, for No. 9 gauge, for Styles 35800 BQ, DQ---	1
36	35830 K	Spring, for Styles 35800 BQ, BR, DQ, DR-----	1
37	22599	Screw, for No. 35830 K-----	1
38	35805 BR-8	Feed Dog, for Nos. 8 and 9 gauge, Styles 35800 BR, DR-----	1
39	35826	Tooth Section-----	1
40	22738 C	Screw-----	2
41	35895-8	Shim, .008 inch thick-----	3
42	35824 DQ-8	Throat Plate, marked "AG-8", for No. 8 gauge, Styles 35800 BR, DR-----	1
	35824 DQ-9	Throat Plate, marked "AG-9", for No. 9 gauge, Styles 35800 BR, DR-----	1
43	35830 BX-8	Presser Foot, for No. 8 gauge, Styles 35800 BR, DR-----	1
	35830 BX-9	Presser Foot, for No. 9 gauge, Styles 35800 BR, DR-----	1



FEED DOGS, THROAT PLATES, PRESSER FEET

Ref. No.	Part No.	Description	Amt. Req.
1	35705 AJ-8	Feed Dog, for No. 8 gauge 35700 AK, CK	1
	35705 AJ-10	Feed Dog, for No. 10 gauge	1
	*35705 AJ-12	Feed Dog, for Nos. 12 and 16 gauge	1
2	35724 AJ-8	Throat Plate, for No. 8 gauge 35700 AK, CK, marked "S-8"	1
	35724 AJ-10	Throat Plate, for No. 10 gauge, marked "S-10"	1
	*35724 AJ-12	Throat Plate, for No. 12 gauge, marked "S-12"	1
	*35724 AJ-16	Throat Plate, for No. 16 gauge, marked "S-16"	1
3	35720 AJ-8	Presser Foot, for No. 8 gauge 35700 AK, CK	1
	35720 AJ-10	Presser Foot, for No. 10 gauge	1
	35720 AJ-12	Presser Foot, for No. 12 gauge	1
	35720 AJ-16	Presser Foot, for No. 16 gauge	1
4	35778 U-8	Needle Hole Section, left, for No. 8 gauge	1
	35778 U-10	Needle Hole Section, left, for No. 10 gauge	1
	35778 U-12	Needle Hole Section, left, for No. 12 gauge	1
	35778 U-16	Needle Hole Section, left, for No. 16 gauge	1
5	35730 AJ-8	Bottom, for No. 8 gauge	1
	35730 AJ-10	Bottom, for No. 10 gauge	1
	35730 AJ-12	Bottom, for No. 12 gauge	1
	35730 AJ-16	Bottom, for No. 16 gauge	1
6	35772 Q	Spacer Sleeve	1
7	22734 A	Screw	1
8	22799 B	Hinge Screw	1
9	22799 E	Screw	3
10	35730 Z	Chain Cutting Knife	1
11	35778 M	Spring, left	1
12	35778 L	Spring, right	1
13	91	Clamp Screw	1
14	35778 T-8	Needle Hole Section, right, for No. 8 gauge	1
	35778 T-10	Needle Hole Section, right, for No. 10 gauge	1
	35778 T-12	Needle Hole Section, right, for No. 12 gauge	1
	35778 T-16	Needle Hole Section, right, for No. 16 gauge	1
15	35705 AJ-12	Feed Dog, for Nos. 12 and 16 gauge 35700 AL, CL	1
16	35724 AJ-12	Throat Plate, for No. 12 gauge 35700 AL, CL, marked "S-12"	1
	35724 AJ-16	Throat Plate, for No. 16 gauge, marked "S-16"	1
17	35720 AL-12	Presser Foot, for No. 12 gauge 35700 AL, CL	1
	35720 AL-16	Presser Foot, for No. 16 gauge	1
18	35730 AL-12	Bottom, front, for No. 12 gauge	1
	35730 AL-16	Bottom, front, for No. 16 gauge	1
19	22801	Screw	1
20	22799 E	Screw	2
21	35730 C	Bottom, rear, for No. 12 gauge	2
	35730 K	Bottom, rear, for No. 16 gauge	1
22	35730 B	Shank	1
23	91	Clamp Screw	1
24	226	Screw	1
25	35730 F	Spring	1
26	35730 D	Yoke	1
27	35805 AC-16	Feed Dog, for Nos. 16 and 18 gauge 35800 AC, CC	1
28	35824 AC-16	Throat Plate, for No. 16 gauge 35800 AC, CC, marked "L-16"	1
	35824 AC-18	Throat Plate, for No. 18 gauge, marked "L-18"	1
29	35820 AC-16	Presser Foot, for No. 16 gauge, 35800 AC, CC	1
	35820 AC-18	Presser Foot, for No. 18 gauge	1
30	35830 AC-16	Bottom, for No. 16 gauge	1
	35830 AC-18	Bottom, for No. 18 gauge	1
31	51930	Spring	1
32	35830	Shank	1
33	91	Clamp Screw	1
34	22799 C	Hinge Screw	1
35	35705 AM-8	Feed Dog, for No. 8 gauge 35700 AM, CM	1
	35705 AM-12	Feed Dog, for Nos. 10, 12 and 16 gauge	1
36	35724 AM-8	Throat Plate, for No. 8 gauge 35700 AM, CM	1
	35724 AM-10	Throat Plate, for No. 10 gauge	1
	35724 AM-12	Throat Plate, for No. 12 gauge	1
	35724 AM-16	Throat Plate, for No. 16 gauge	1
37	35720 AK-8	Presser Foot, for No. 8 gauge 35700 AM, CM	1
	35720 AK-10	Presser Foot, for No. 10 gauge	1
	35720 AK-12	Presser Foot, for No. 12 gauge	1
	35720 AK-16	Presser Foot, for No. 16 gauge	1
38	35730 AK-8	Bottom, front, for No. 8 gauge	1
	35730 AK-10	Bottom, front, for No. 10 gauge	1
	35730 AK-12	Bottom, front, for No. 12 gauge	1
	35730 AK-16	Bottom, front, for No. 16 gauge	1
39	22799 E	Hinge Screw	1
40	35730 AC	Hinged Section	1
41	35730 AB	Bottom, rear	1
42	22799 G	Hinge Screw	1
43	73 A	Screw	2
44	35730 AN	Spring	2
45	35730 AM	Shank	1
46	91	Clamp Screw	1
47	35730 AE	Spring	1

* On No. 12 and 16 gauge there is a feed slot and a feed prong as indicated on Ref. No. 15 and 16.

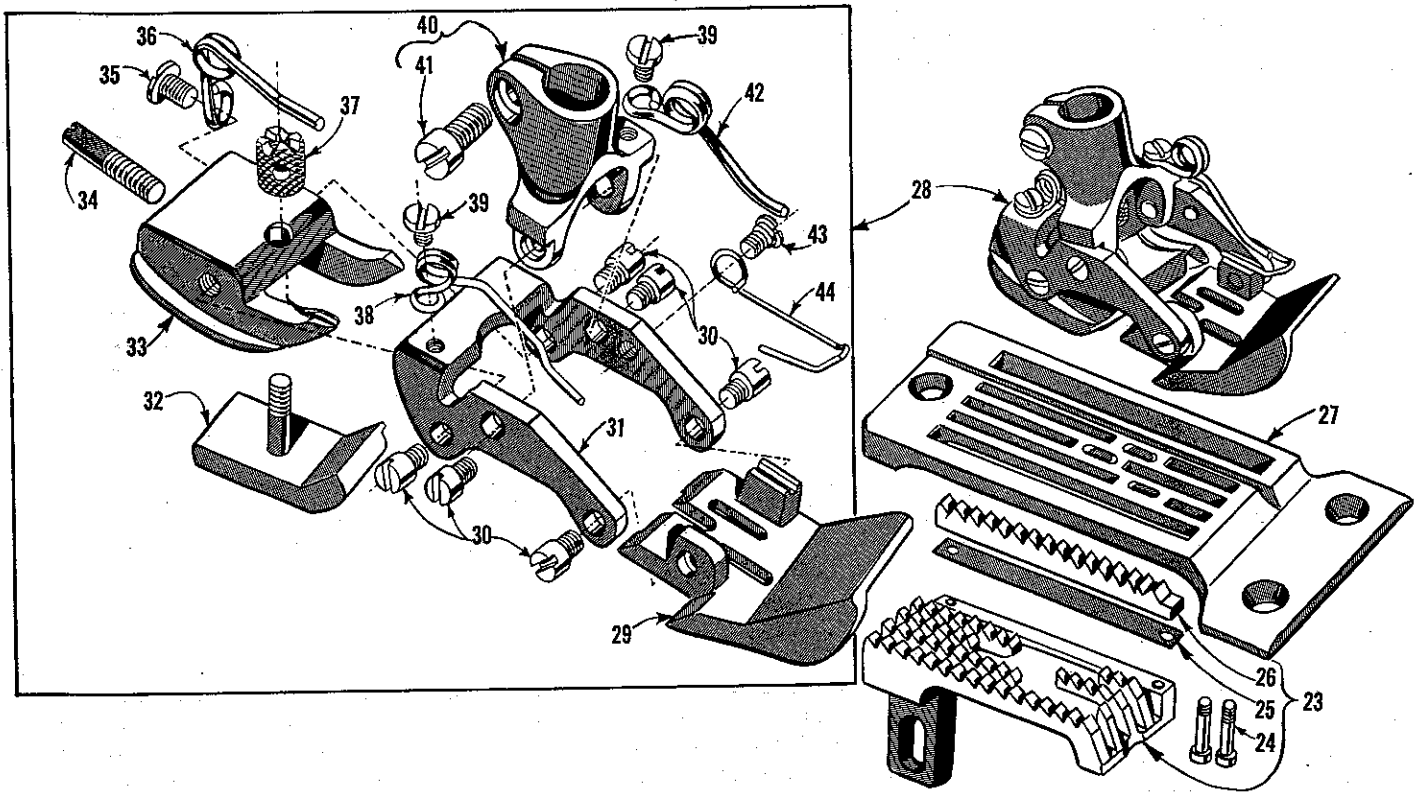
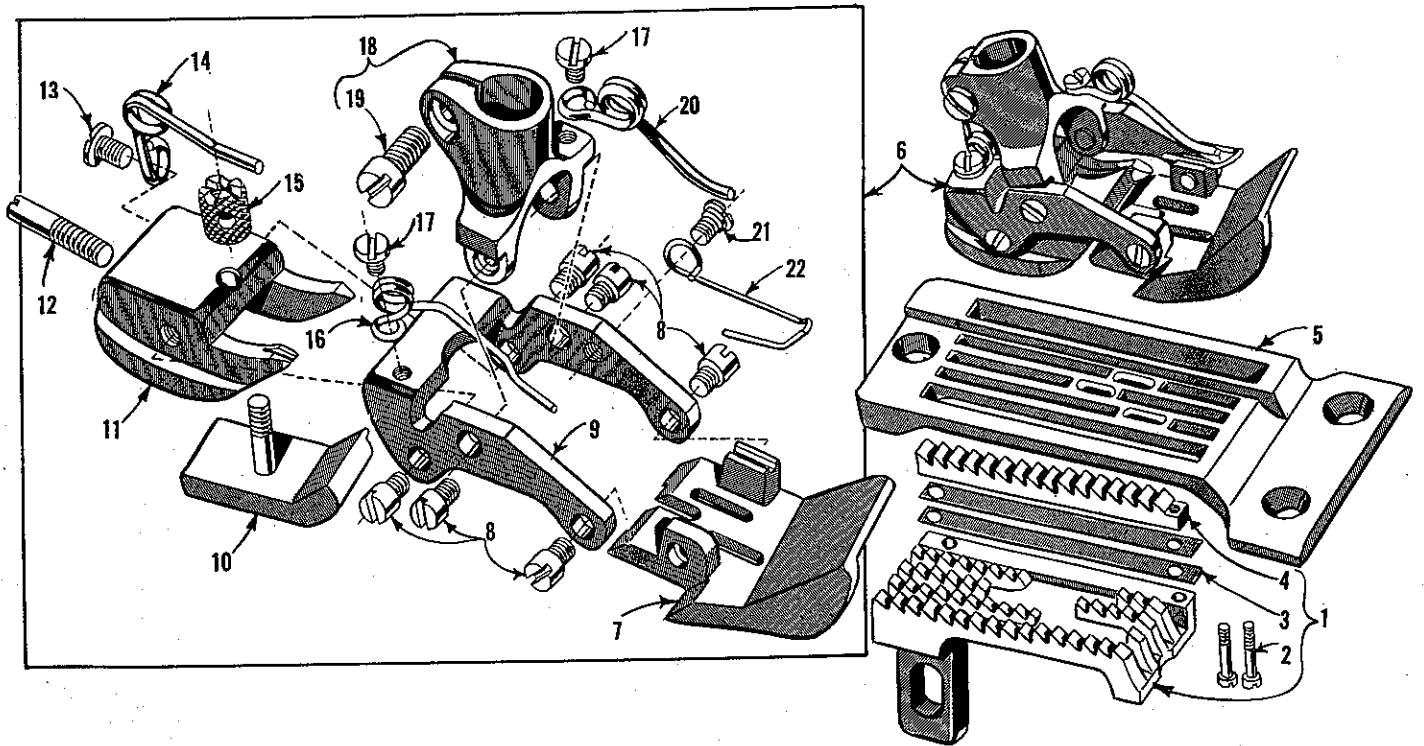


FEED DOGS, THROAT PLATES, PRESSER FEET

<u>Ref. No.</u>	<u>Part No.</u>	<u>Description</u>	<u>Amt. Req.</u>
1	35805 AX-16	Feed Dog, for Nos. 16 and 18 gauge 35800 AX, CX, .070 inch (1.78 mm) step	1
2	35826 A	Tooth Section	1
3	22738 C	Screw	2
4	35895	Shim	as required
5	35824 AX-16	Throat Plate for No. 16 gauge 35800 AX, CX, .070 inch (1.78 mm) step, marked "P-16"	1
6	35820 AX-16	Presser Foot, for No. 16 gauge 35800 AX, CX, .070 inch (1.78 mm) step	1
-	35820 AX-18	Presser Foot, for No. 18 gauge, .070 inch (1.78 mm) step	1
7	35830 AX-16	Bottom, front, for No. 16 gauge	1
-	35830 AX-18	Bottom, front, for No. 18 gauge	1
8	22845 A	Screw	6
9	35830 C	Yoke	1
10	35830 AE	Yielding Section	1
11	35830 J	Bottom, rear	1
12	22799 L	Set Screw	1
13	22561	Screw	1
14	35830 D	Yielding Section Spring	1
15	35830 F	Adjusting Nut	1
16	35830 H	Equalizing Spring, rear	1
17	73 A	Screw	2
18	35830 M	Shank, marked "AC"	1
19	91 D	Clamp Screw	1
20	35830 N	Spring	1
21	22599	Screw	1
22	35830 K	Equalizing Spring, front	1
23	35805 AV-16	Feed Dog, for Nos. 16 and 18 gauge 35800 AV, CV	1
24	35824 AV-16	Throat Plate, for No. 16 gauge 35800 AV, CV, marked "N-16"	1
-	35824 AV-18	Throat Plate, for No. 18 gauge, marked "N-18"	1
25	35820 AV-16	Presser Foot, for No. 16 gauge 35800 AV, CV	1
-	35820 AV-18	Presser Foot, for No. 18 gauge	1
26	35830 AV-16	Bottom, front, for No. 16 gauge	1
-	35830 AV-18	Bottom, front, for No. 18 gauge	1
27	22845 A	Screw	6
28	35830 C	Yoke	1
29	35830 E	Yielding Section	1
30	35830 G	Bottom, rear	1
31	22799 L	Set Screw	1
32	22561	Screw	1
33	35830 D	Yielding Section Spring	1
34	35830 F	Adjusting Nut	1
35	35830 H	Equalizing Spring, rear	1
36	73 A	Screw	1
37	35830 B	Shank, marked "AB"	1
38	91 D	Clamp Screw	1
39	22599	Screw	1
40	35830 K	Equalizing Spring, front	1
41	35805 AD-12	Feed Dog, for No. 12 gauge 35800 AD, CD, .025 inch (0.64 mm) step	1
-	35805 AD-16	Feed Dog, for No. 16 gauge, .025 inch (0.64 mm) step	1
42	22738 C	Screw	2
43	35826 D	Tooth Section	1
44	35824 AD-12	Throat Plate, for No. 12 gauge 35800 AD, CD, .025 inch (0.64 mm) step, marked "M-12"	1
-	35824 AD-16	Throat Plate, for No. 16 gauge, .025 inch (0.64 mm) step, marked "M-16"	1
45	35820 AD-12	Presser Foot, for No. 12 gauge 35800 AD, CD, .025 inch (0.64 mm) step	1
-	35820 AD-16	Presser Foot, for No. 16 gauge, .025 inch (0.64 mm) step	1
46	35830 AD-12	Bottom, front, for No. 12 gauge	1
-	35830 AD-16	Bottom, front, for No. 16 gauge	1
47	22845 A	Screw	6
48	35830 C	Yoke	1
49	35830 AE	Yielding Section	1
50	35830 Y	Bottom, rear	1
51	22799 L	Set Screw	1
52	22561	Screw	1
53	35830 D	Yielding Section Spring	1
54	35830 F	Adjusting Nut	1
55	35830 H	Equalizing Spring, rear	1
56	73 A	Screw	2
57	35830 M	Shank, marked "AC"	1
58	91 D	Clamp Screw	1
59	35830 N	Spring	1
60	22599	Screw	1
61	35830 K	Equalizing Spring, front	1

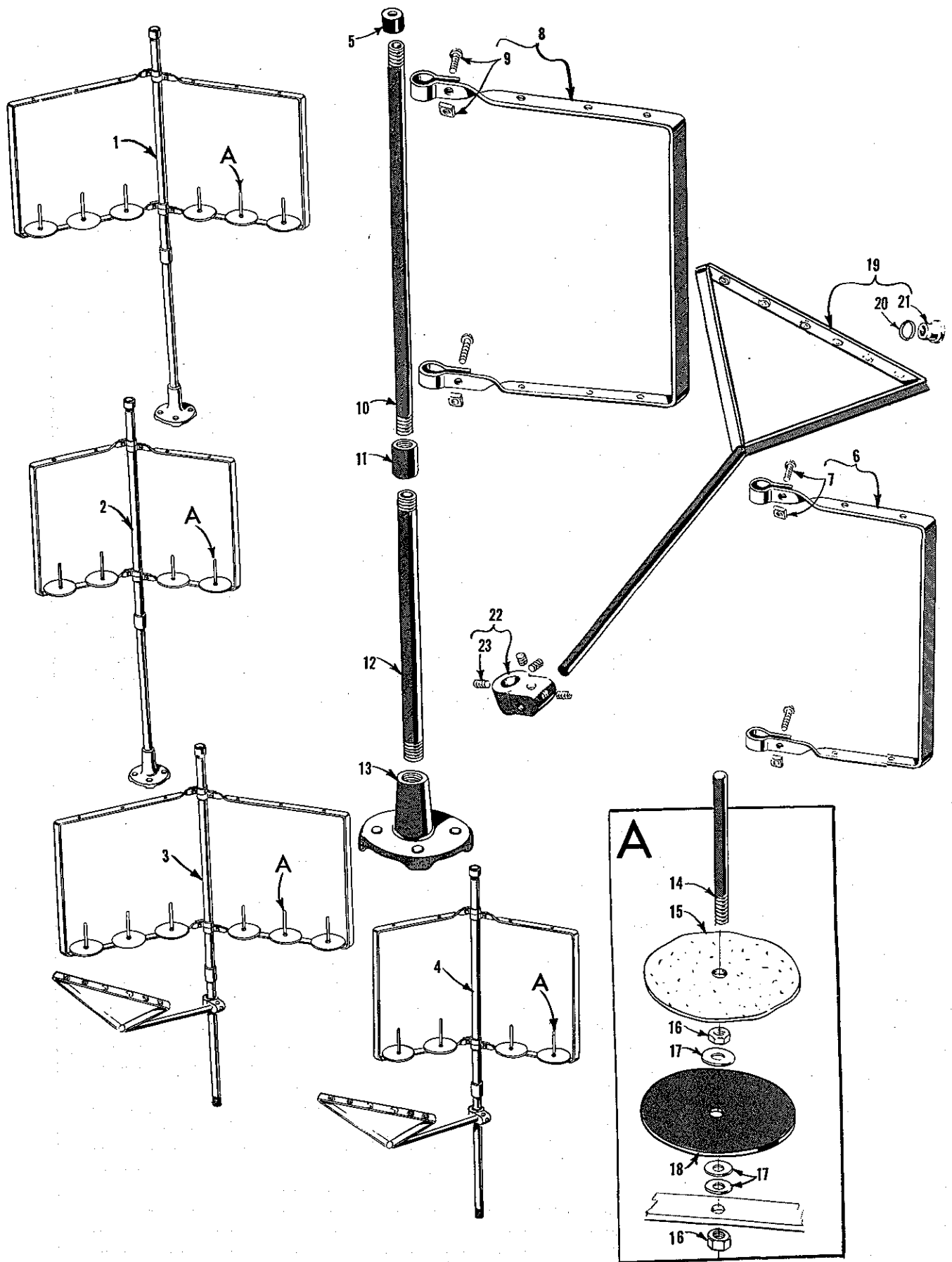
FEED DOGS, THROAT PLATES, PRESSER FEET

Ref. No.	Part No.	Description	Amt. Req.
1	35805 AY-16	Feed Dog, for Nos. 16 and 18 gauge 35800 AY, CY, .094 inch step-	1
2	22738 C	Screw-----	2
3	35895	Shim (as required)-----	1
4	35826	Tooth Section-----	1
5	35824 AY-16	Throat Plate, for No. 16 gauge 35800 AY, CY, .094 inch step, marked "R-16"-----	1
	35824 AY-18	Throat Plate, for No. 18 gauge, .094 inch step, marked "R-18"-----	1
6	35820 AY-16	Presser Foot, for No. 16 gauge 35800 AY, CY, .094 inch step----	1
	35820 AY-18	Presser Foot, for No. 18 gauge, .094 inch step-----	1
7	35830 AY-16	Bottom, front, for No. 16 gauge-----	1
	35830 AY-18	Bottom, front, for No. 18 gauge-----	1
8	22845 A	Screw-----	6
9	35830 C	Yoke-----	1
10	35830 AE	Yielding Section-----	1
11	35830 Z	Bottom, rear-----	1
12	22799 L	Set Screw-----	1
13	22561	Screw-----	1
14	35830 D	Yielding Section Spring-----	1
15	35830 F	Adjusting Nut-----	1
16	35830 H	Equalizing Spring, rear-----	1
17	73 A	Screw-----	2
18	35830 M	Shank, marked "AC"-----	1
19	91 D	Clamp Screw-----	1
20	35830 N	Spring-----	1
21	22599	Screw-----	1
22	35830 K	Equalizing Spring, front-----	1
23	K67452	Feed Dog, for Nos. 7 and 8 gauge 35700 BS, DS-----	1
24	K67824	Throat Plate, for No. 7 gauge 35700 BS, DS-----	1
	K67451	Throat Plate, for No. 8 gauge-----	1
25	K64477	Presser Foot, for No. 7 gauge 35700 BS, DS-----	1
	K67450	Presser Foot, for No. 8 gauge-----	1
26	K66286	Bottom, front, for No. 7 gauge-----	1
	K67453	Bottom, front, for No. 8 gauge-----	1
27	22801	Hinge Screw-----	2
28	K66323	Yoke-----	1
29	22799 E	Hinge Screw, for No. 7 gauge-----	2
	22799 B	Hinge Screw, for No. 8 gauge-----	2
30	35730 K	Bottom, rear-----	1
31	35730 B	Shank-----	1
32	91	Clamp Screw-----	1
33	226	Screw-----	1
34	K65149	Spring-----	1
35	35826 BV-8	Feed Dog, for Nos. 8 and 9 gauge 35800 BV, DV-----	1
36	35828 BV-8	Throat Plate, for No. 8 gauge 35800 BV, DV, marked "Z-8"-----	1
	35828 BV-9	Throat Plate, for No. 9 gauge, marked "Z-9"-----	1
37	35820 BV-8	Presser Foot, for No. 8 gauge 35800 BV, DV-----	1
	35820 BV-9	Presser Foot, for No. 9 gauge-----	1
38	35830 BV-8	Bottom, front, for No. 8 gauge-----	1
	35830 BV-9	Bottom, front, for No. 9 gauge-----	1
39	22845 A	Screw-----	6
40	35830 C	Yoke-----	1
41	35830 E	Yielding Section-----	1
42	35830 G	Bottom, rear-----	1
43	22799 L	Set Screw-----	1
44	22561	Screw-----	1
45	35830 D	Yielding Section Spring-----	1
46	35830 F	Adjusting Nut-----	1
47	35830 H	Equalizing Spring, rear-----	1
48	73 A	Screw-----	1
49	35830 B	Shank, marked "AB"-----	1
50	91 D	Clamp Screw-----	1
51	22599	Screw-----	1
52	35830 K	Equalizing Spring, front-----	1



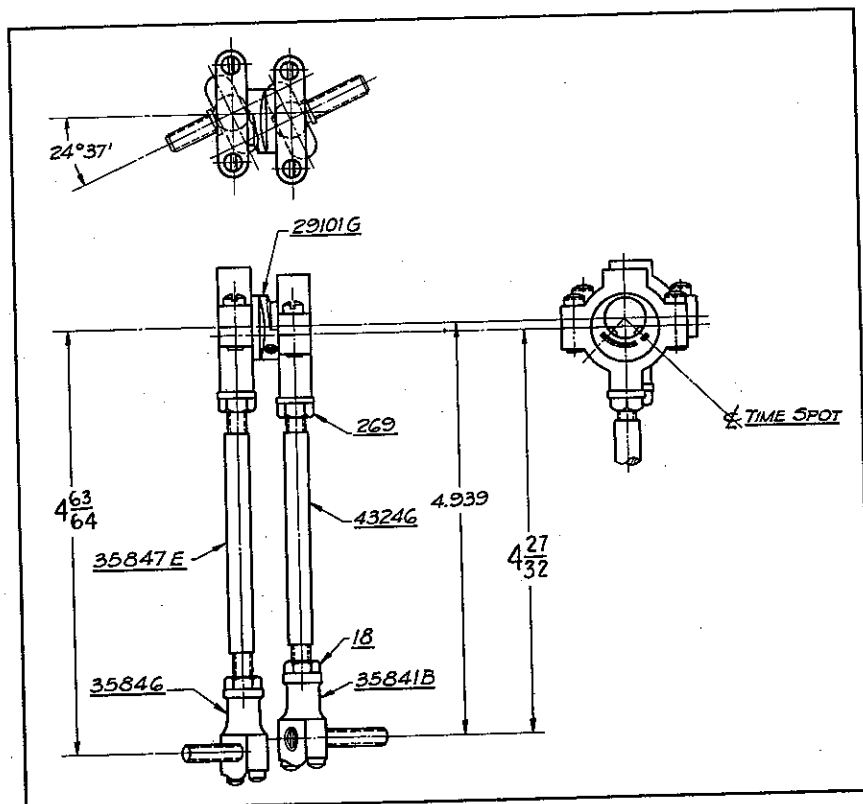
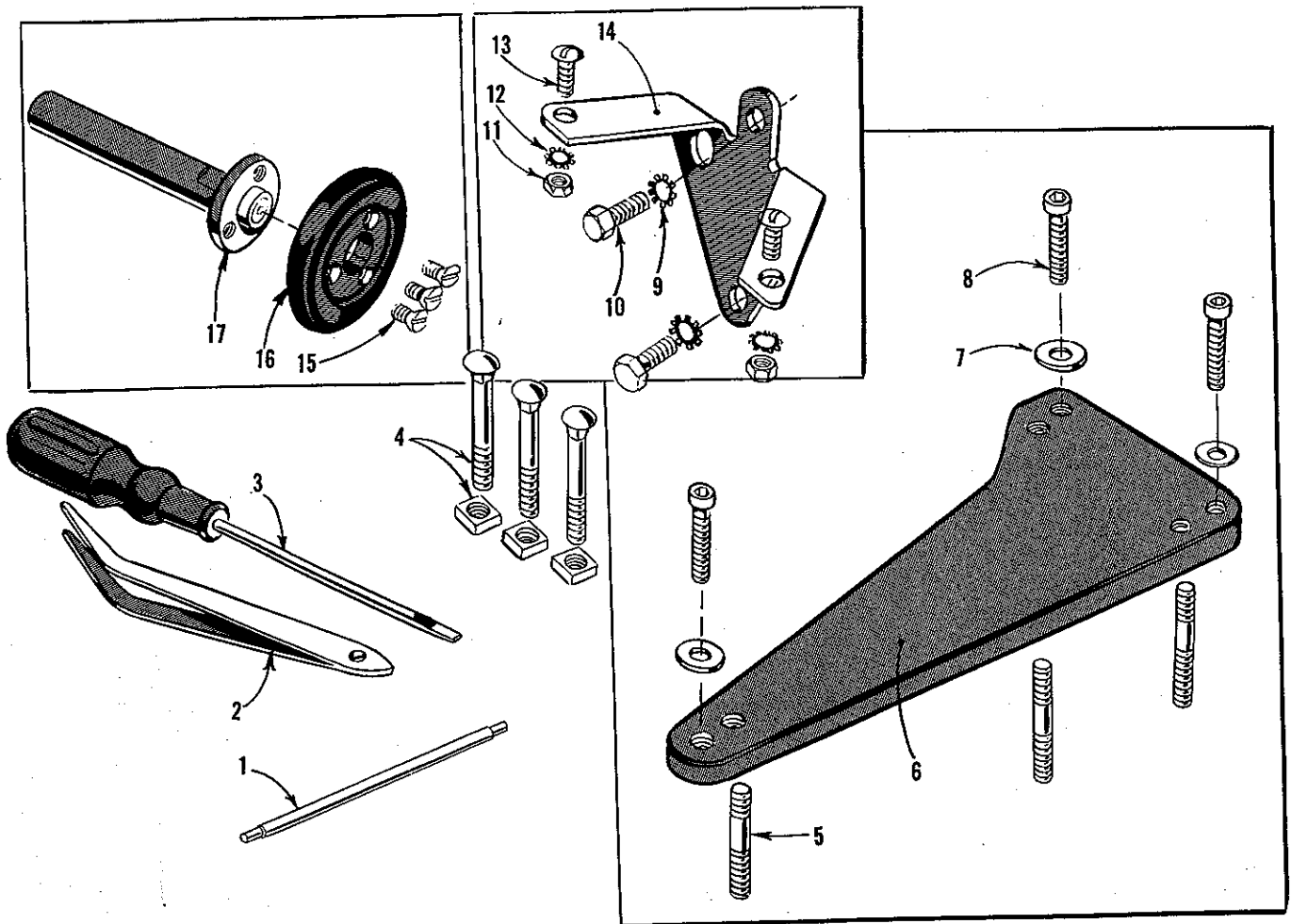
FEED DOGS, THROAT PLATES, PRESSER FEET

<u>Ref. No.</u>	<u>Part No.</u>	<u>Description</u>	<u>Amt. Req.</u>
1	35826 BY-8	Feed Dog, for Nos. 8 and 9 gauge 35800 BY, DY, .094 inch step-----	1
2	22738 C	Screw-----	2
3	35895	Shim (as required) -----	
4	35826	Tooth Section -----	1
5	35828 BY-8	Throat Plate, for No. 8 gauge 35800 BY, DY, .094 inch step, marked "Y-8" -----	1
	35828 BY-9	Throat Plate, for No. 9 gauge, .094 inch step, marked "Y-9" -----	1
6	35820 BY-8	Presser Foot, for No. 8 gauge 35800 BY, DY, .094 inch step-----	1
	35820 BY-9	Presser Foot, for No. 9 gauge, .094 inch step -----	1
7	35830 BY-8	Bottom, front, for No. 8 gauge -----	1
	35830 BY-9	Bottom, front, for No. 9 gauge -----	1
8	22845 A	Screw-----	6
9	35830 C	Yoke-----	1
10	35830 AE	Yielding Section-----	1
11	35830 Z	Bottom, rear -----	1
12	22799 L	Set Screw -----	1
13	22561	Screw-----	1
14	35830 D	Yielding Section Spring -----	1
15	35830 F	Adjusting Nut -----	1
16	35830 H	Equalizing Spring, rear-----	1
17	73 A	Screw-----	2
18	35830 M	Shank, marked "AC" -----	1
19	91 D	Clamp Screw -----	1
20	35830 N	Spring -----	1
21	22599	Screw-----	1
22	35830 K	Equalizing Spring, front -----	1
23	35826 BX-8	Feed Dog, for Nos. 8 and 9 gauge 35800 BX, DX, .070 inch step-----	1
24	22738 C	Screw-----	2
25	35895	Shim (as required) -----	
26	35826 A	Tooth Section -----	1
27	35828 BX-8	Throat Plate, for Nos. 8 gauge 35800 BX, DX, .070 inch step, marked "AA-8" -----	1
	35828 BX-9	Throat Plate, for No. 9 gauge, .070 inch step, marked "AA-9" -----	1
28	35820 BX-8	Presser Foot, for No. 8 gauge 35800 BX, DX, .070 inch step-----	1
	35820 BX-9	Presser Foot, for No. 9 gauge, .070 inch step -----	1
29	35830 BX-8	Bottom, front, for No. 8 gauge -----	1
	35830 BX-9	Bottom, front, for No. 9 gauge -----	1
30	22845 A	Screw-----	6
31	35830 C	Yoke-----	1
32	35830 AE	Yielding Section-----	1
33	35830 J	Bottom, rear -----	1
34	22799 L	Set Screw -----	1
35	22561	Screw-----	1
36	35830 D	Yielding Section Spring -----	1
37	35830 F	Adjusting Nut -----	1
38	35830 H	Equalizing Spring, rear-----	1
39	73 A	Screw-----	2
40	35830 M	Shank, marked "AC" -----	1
41	91 D	Clamp Screw -----	1
42	35830 N	Spring -----	1
43	22599	Screw-----	1
44	35830 K	Equalizing Spring, front -----	1



THREAD STAND PARTS

Ref. No.	Part No.	Description	Amount Required			
			Two Needle Table Machine	Two Needle Pedestal Machine	Three Needle Table Machine	Three Needle Pedestal Machine
1	21101 M-6	Thread Stand, complete	1		1	
2	21101 M-4	Thread Stand, complete				1
3		Thread Stand, complete				
4		Thread Stand, complete				
5	660-181	Cap		1		
6	21114 Z	Cone Support Frame	1	1	1	
7	650 C-6	Stove Bolt and Nut	2	2		
8	21114 AA	Cone Support Frame	2	2		
9	650 C-6	Stove Bolt and Nut			2	2
10	21104 X-26	Rod, upper	1		1	
11	21104 Y-26	Rod, upper	1		1	
	660-180	Coupling		1		
	660-194	Coupling			1	
12	21104 X-18	Rod, lower	1		1	
13	21104 Y-18	Rod, lower	1		1	
	414 A	Base		1		
14	21114 W	Spool Pin	1		1	
15	21104 V	Pad	4	4	6	6
16	258 A	Nut	4	4	6	6
17	652-16	Washer	8	8	12	12
18	21114	Spool Seat Disc	12	12	18	18
19	21114 AG-6	Lead-in Eyelet	4	4	6	6
	21114 AG-4	Lead-in Eyelet				
20	21114 M	Locking Ring		1		
21	21114 L	Insert Eyelet		4		
22	21233 AJ	Lead-In Eyelet Connection		4		
23	22651 CD-5	Screw		4		



MISCELLANEOUS ACCESSORIES

<u>Ref. No.</u>	<u>Part No.</u>	<u>Description</u>	<u>Amt. Req.</u>
1	21227 AR	Torque Rod, for three needle machines-----	1
2	660-240	Thread Tweezers-----	1
3	21201	Screw Driver, 9/64 inch round blade, length over-all 7 3/8 inches -----	1
4	650 X-20	Carriage Bolt, with nut, 5/16-18 thread, 2 1/2 inches long, for electro-drive on pedestal mounted machines--	3
*5	1460 K	Adaptor Plate Stud, for pedestal mounted machines -----	1
*6	1460 J	Electro-Drive Adaptor Plate, for pedestal mounted machines-----	1
7	652-20	Washer, for 22652 E-20 -----	3
8	22652 E-20	Screw, for No. 1460 J-----	3
9	652 B-24	Lock Washer, for No. 22640 M-32 -----	2
10	22640 M-32	Cap Screw, for No. 21233 K-----	2
11	651-16	Nut, for No. 22635 -----	2
12	652 B-16	Lock Washer, for No. 22635 -----	2
13	22635	Screw, for switch -----	2
14	21233 K	Switch Box Bracket, for pedestal mounted machines -----	1
15	22807	Screw, for No. 1421-----	3
16	1421	Handwheel, for pedestal mounted machines -----	1
17	1421 A	Handwheel Stud, for pedestal mounted machines -----	1

* Not furnished with machines, available as extra send and charge item.

INSTRUCTIONS FOR INSTALLING CUSHION MOUNTING
FOR CLASSES 35700 & 35800 MACHINES.

OPER. 1 - INSERT FELT TUBES 660-1G1 INTO TABLE

BOARD SO THAT THE TUBE WILL EXTEND
ABOUT $\frac{3}{8}$ " BELOW BOTTOM OF BOARD.

OPER. 2 - PLACE FELT WASHER 660-1G2 OVER
FELT TUBE SO THAT IT LIES FLAT WITHIN
COUNTERBORED HOLES.

OPER. 3 - PLACE STEEL WASHER 35895-Q
ON TOP OF FELT WASHER.

OPER. 4 - INSERT STUD 35895-R IN HOLE
OF FELT TUBE.

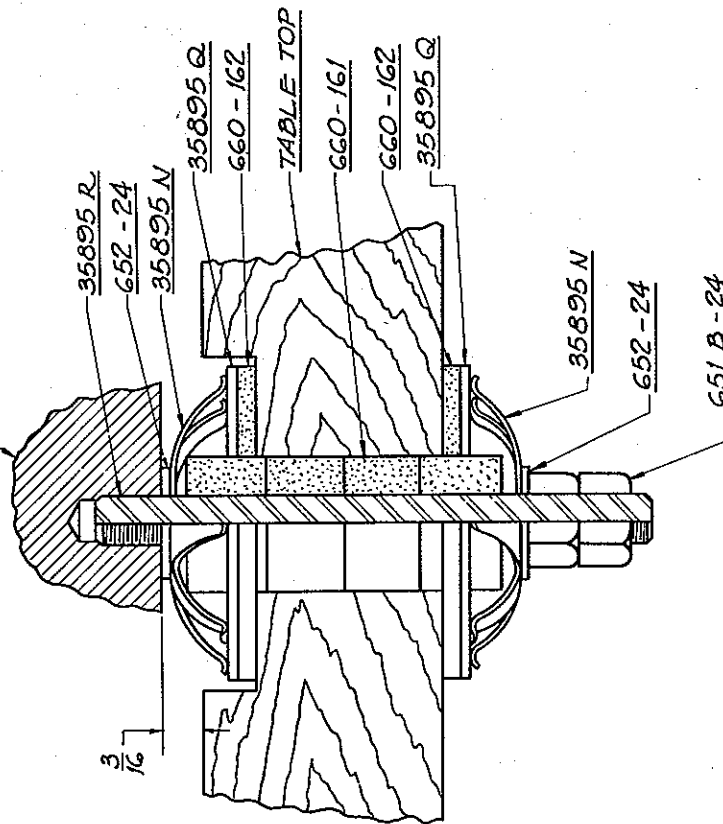
OPER. 5 - SLIDE SPRING 35895-N & STEEL
WASHER 652-24 ON STUD.

OPER. 6 - PLACE MACHINE OVER STUDS &
SCREW STUDS INTO BASE OF MACHINE
TIGHTLY.

OPER. 7 - REPEAT OPERATIONS 2, 3 & 5 ON
BOTTOM SIDE OF TABLE BOARD.

OPER. 8 - TIGHTEN NUT 651-B-24 ON STUD TO
HOLD MACHINE SECURELY & YET ALLOW
ACTION OF CUSHION MOUNTING & LOCK
WITH SECOND NUT. THE MACHINE WILL
CLEAR THE TABLE TOP APPROXIMATELY
 $\frac{3}{16}$ INCH WHEN INSTALLED.

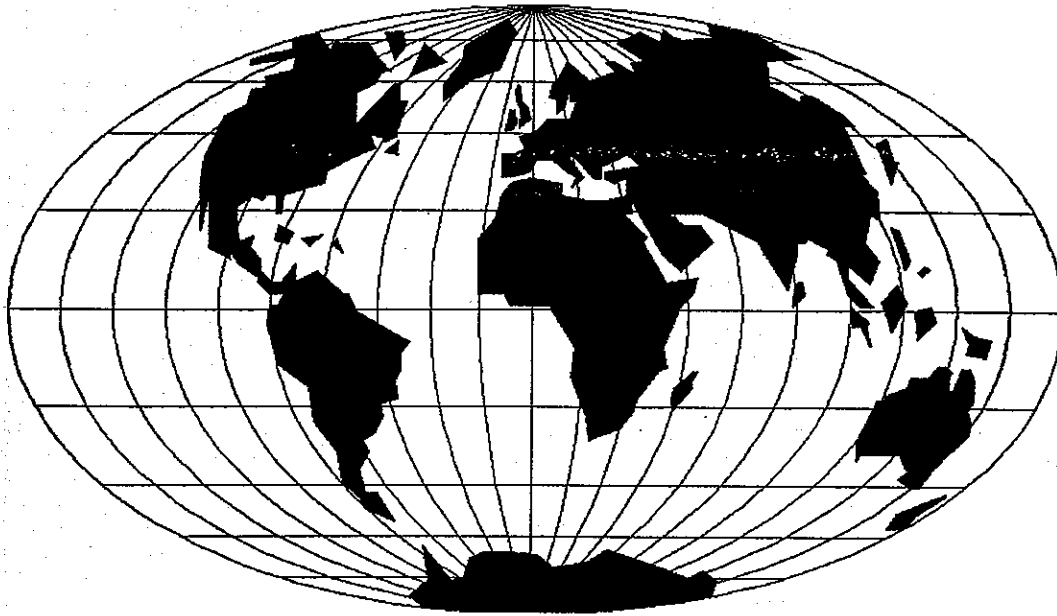
BOTTOM OF MACHINE BED.



NUMERICAL INDEX OF PARTS

<u>Part No.</u>	<u>Page No.</u>	<u>Part No.</u>	<u>Page No.</u>	<u>Part No.</u>	<u>Page No.</u>
WO-3.....	21	660-219 X.....	15	22570 A.....	13
18.....	25,27,29	660-220.....	17,29	22571 A.....	31
20.....	25	660-221.....	29	22571 B.....	17
CL21.....	13,21	660-240.....	47	22572.....	27
25 B.....	15	660-244.....	25	22572 B.....	27
27-435 Blk.....	31	660-303.....	15	22574.....	13
28.....	13,21,33,35	660-310.....	29	22574 A.....	13,19,25
42 A.....	21	664 F-16.....	21	22580 A.....	27
50-458 Blk.....	29	664 F-24.....	31	22580 D.....	17
50-537 Blk.....	13,15	666-47.....	27	22584.....	21
50-834 Blk.....	25	666-96.....	13,15	22585 A.....	17
50-835 Blk.....	25	666-186.....	25	22585 C.....	23
50 J-16.....	21	667 D-16.....	31	22587 B.....	19
57 WB.....	15	1421.....	47	22587 E.....	17,23
57 WD.....	15	1421 A.....	47	22596 B.....	19
73 A.....	33,35,37,39,41,43	1460 J.....	47	22599.....	35,39,41,43
77.....	19	1460 K.....	47	22635.....	47
86.....	15,23	4761.....	25	22640 M.....	47
87 U.....	13,19,27	6042 A.....	13,17,21	22644 K.....	25
J87 J.....	15,31	8372 A.....	13	22651 CD.....	45
88.....	15,17,27,31	11638 M.....	25	22652 E.....	47
89.....	15,17,21,27	12934 A.....	13,15	22653 B.....	25
90.....	13,17,31	14649.....	15	22711.....	13
91.....	35,37,41	15438 C.....	15	22729.....	19
91 D.....	39,41,43	21101 M.....	45	22729 C.....	25,27,29
93.....	13	21104 V.....	45	22730.....	13
93 A.....	13	21104 X.....	45	22733 A.....	31
94.....	23	21104 Y.....	45	22733 B.....	13
97 A.....	25,29	21104 Z.....	45	22734 A.....	37
98.....	21	21114.....	45	22738.....	15
98 A.....	15	21114 L.....	45	22738 C.....	35,39,41,43
107.....	23	21114 W.....	45	22743.....	25,27
108.....	23	21114 Z.....	45	22747.....	27,31
109.....	23	21114 AA.....	45	22758 C.....	15,21
110-3.....	23	21114 AG.....	45	22758 E.....	15
136.....	23	21201.....	47	22759 A.....	13
222 D.....	25	21210 B.....	29	22760 A.....	33,35
226.....	37,41	21227 AR.....	47	22764.....	15,17
258.....	27	21233 K.....	47	22766.....	33
258 A.....	29,45	21233 AJ.....	45	22768.....	15,21,27
269.....	25,27,29	21375 AK.....	13	22784 A.....	21
318.....	21	21375 AU.....	13	22784 F.....	23
376.....	27	21756 G.....	17	22797.....	19
402.....	21	22513.....	21	22798.....	31,33
414 A.....	45	22516 A.....	13	22799 B.....	37,41
531.....	31	22519 F.....	19	22799 C.....	37
538.....	25,29	22524.....	15,21,25,31	22799 E.....	35,37,41
605.....	15,21	22526.....	17	22799 G.....	35,37
605 A.....	25,33	22526 B.....	31	22799 L.....	39,41,43
650 C-6.....	45	22528.....	21	22801.....	37,41
650 X-20.....	47	22539 C.....	31	22806 G.....	13
651-16.....	47	22539 D.....	31	22807.....	47
652-16.....	45	22539 E.....	13	22829.....	13,15
652-20.....	47	22539 H.....	31	22836.....	29
652-B-16.....	47	22557 A.....	15	22839.....	23
652-B-24.....	47	22560 B.....	15,17,21,25	22845 A.....	35,39,41,43
660-180.....	45	22561.....	33,35,39,41,43	22849.....	31
660-181.....	45	22561 A.....	31	22849 A.....	31,33,35
660-194.....	45	22562.....	15,21	22851.....	15
660-199.....	27	22562 A.....	19,29	22874 C.....	27,35
660-202.....	19	22564.....	19,29	22894 C.....	15,25,35
660-219.....	25	22564 B.....	13,15,31	22894 D.....	25
660-219 M.....	15	22564 D.....	29	22894 E.....	19,25
		22569 B.....	13	22894 H.....	19,25
		22570.....	13		

NOTE: Only the basic part numbers are shown in the index. For various gauges, capacities, etc. available refer to the listings on pages indicated.



WORLDWIDE SALES AND SERVICE

Union Special Corporation maintains sales and service facilities throughout the world. These offices will aid you in the selection of the right sewing equipment for your particular operation. Union Special Corporation representatives and service technicians are factory trained and are able to serve your needs promptly and efficiently. Whatever your location, there is a qualified representative to serve you.

Corporate Office: One Union Special Plaza
Huntley, IL 60142
Phone: 708•669•5101
Fax: 708•669•1096

European Distribution Center: Union Special GmbH
Raiffeisenstrasse 3
D-71696 Möglingen, Germany
Tel: 49•07141•247•0
Fax: 49•7141•247•100

Brussels, Belgium
Charlotte, N.C.
Commerce, CA
El Paso, TX
Hong Kong, China
Huntley, IL
Leicester, England
Lille, France
Miami, FL
Milan, Italy
Mission, TX
Möglingen, Germany
Montreal, Quebec
Osaka, Japan

Other Representatives throughout
all parts of the world.



Union Special
INDUSTRIAL SEWING EQUIPMENT